

# CG905WXFFC

## 90cm, Gas Cooktop including Wok burner

**BLANCO**



### Model Code

CG905WXFFC – stainless steel with flame failure

### Description

90cm, 5 burner gas cooktop including wok burner, with cast iron trivets

### Accessories

- Wok Support Trivet

### Warranty

BLANCOCare™ 2 years parts & labour

### Features

Smooth One Piece Hob Design

Cast Iron Trivets

High Performance Sabaf Burners with 14.5Mj Wok Burner

Automatic Ignition

Front Control Operation

Flame Failure

Available in Natural Gas or Propane

### Benefits

The smooth one piece hob design makes cleaning the cooktop so much easier, saving time and effort. Simply wipe over with a damp cloth.

Complimenting the smooth, sleek construction of the unit, whilst providing a non-slip surface for pots and pans.

High quality Sabaf burners provide even heat distribution for great cooking results, whilst the 14.5Mj Wok burner offers powerful cooking for dishes such as stir-frying.

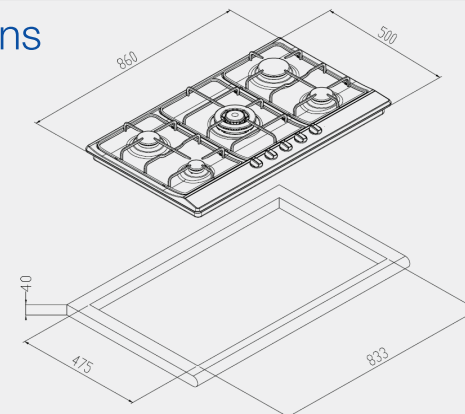
Ease of operation, no need for manual ignition, simply twist the knob and the gas connection ignites.

Added safety while cooking, as there is no need to lean over a naked flame to operate the controls.

Extra safety in the kitchen offering peace of mind, the gas will shut off when there is no continuous flame.

The cooktop is supplied adjusted for natural gas installation, however can be converted for propane application (conversion kit supplied).

## Specifications



Dimensions:	860W x 500D x 40H mm
Cut-out size:	833W x 475D mm
Burner Types:	Sabaf burners
Power Cord:	240V 10Amp for auto ignition
Power Cord Length:	1.8 meters
Suitable for Natural Gas & Propane	
Pressure (kPa):	Natural Gas: 1.00kPa Propane: 2.75kPa
Gas Entry Point:	Rear right hand side

### Cooktop Burners:

	Natural Gas	Propane Gas
Centre - wok:	14.5Mj/h	11.4Mj/h
Front left – auxiliary:	4.1Mj/h	3.5Mj/h
Front right – semi-rapid:	7.1Mj/h	6.2Mj/h
Rear left – semi-rapid:	7.1Mj/h	6.2Mj/h
Rear right - rapid:	12.0Mj/h	10.4Mj/h

\*Due to continual product development the information provided is not final and may be subject to change.