



# A 2080A Zone Selection Panel

## Operating Instructions



The **REDBACK A 2080A** Public Address Speaker Zone Selection Panel allows you to select either;

1. One speaker zone only.
2. A combination of speaker zones.
3. All speaker zones

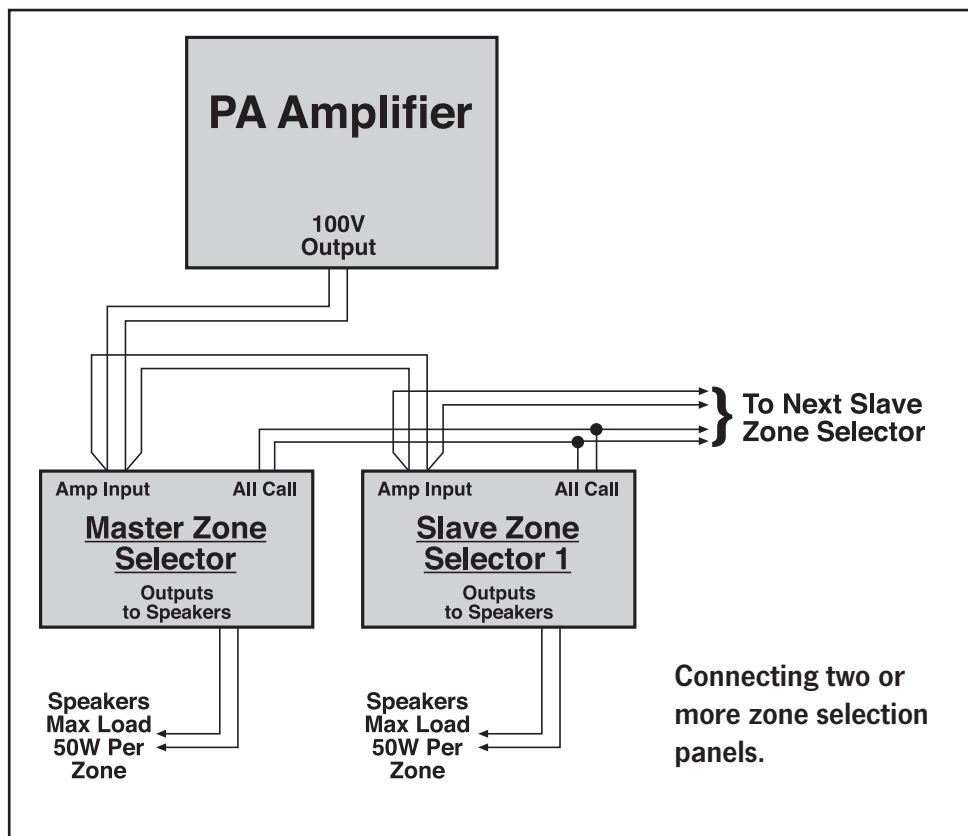
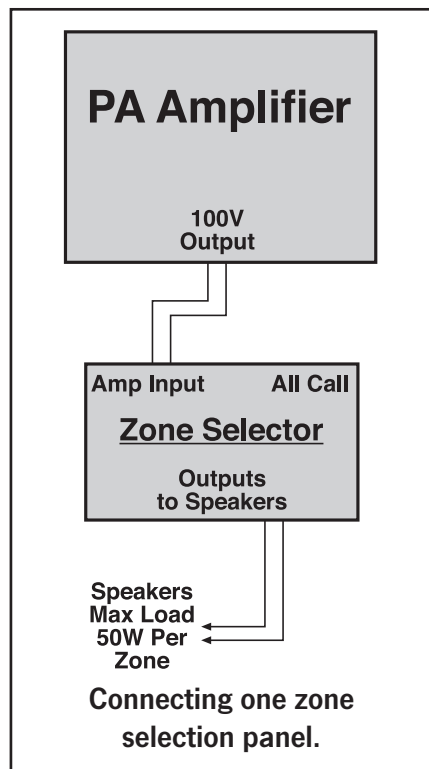
This allows great flexibility when paging.

By connecting together one or more Zone Selection Panels in a 'Daisy Chain' fashion, any number of speaker zones are available (eg Three Zone Selection Panels will give you a total of 30 speaker zones).

### Installation

We recommend the Zone Selection Panels for use only with 70 Volt or 100 Volt line amplifiers with a maximum load of 50 watts per zone (at 100V). Connecting these units to a 4Ω or 8Ω amplifier system may damage your amplifier.

We have supplied an identification strip (with double sided tape) which can be attached to the front panel of the unit. The identification strip can be engraved to help identify your speaker zones.



Distributed by Altronic Distributors Pty. Ltd. Perth. Western Australia.

**Proudly Assembled in Australia**

# REDBACK A 2080A PA Speaker Zone Selection Panel

## Operation

1. Press switches for zones required. As mentioned, any combination of zones is possible. A coloured button indicates that the zone is activated.
2. For paging to all zones, press the 'All Call' button. This is the same as pressing all the zone buttons in at the same time. If you have one or more Zone Selection Panels chained together, only one 'All Call' button on any panel is required to be activated.

