



**EVOTECH**®  
P E R F O R M A N C E

**Installation Instructions**

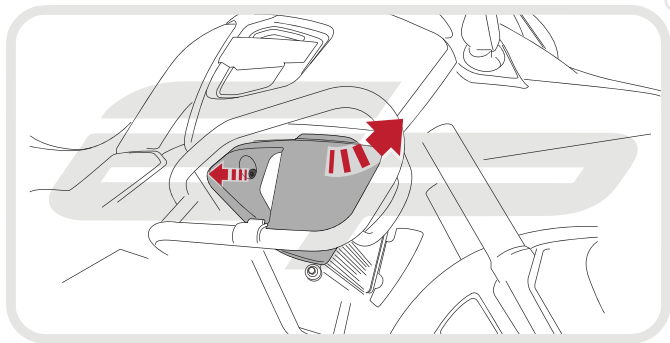


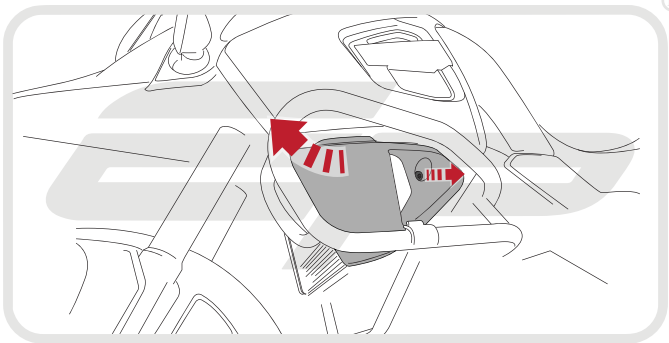
## SUZUKI V-STROM 1000 RADIATOR GUARD

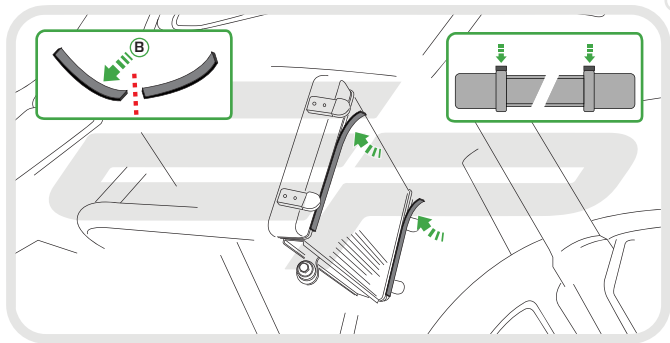
Product Reference - 12382

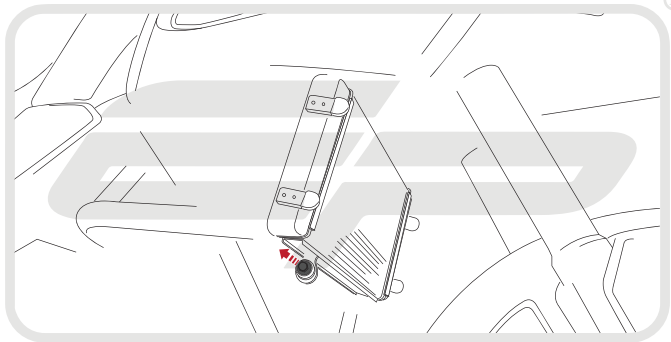
### Kit Contents

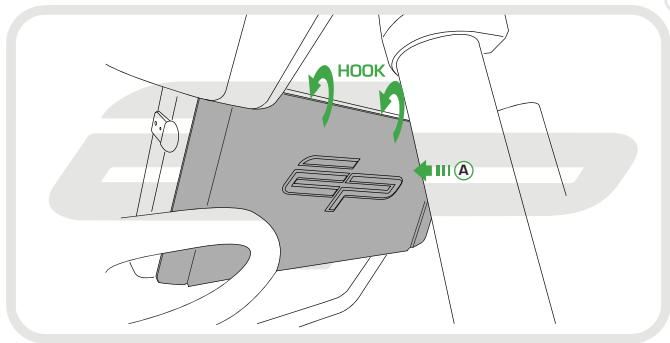
- Ⓐ 1 x Radiator Guard
- Ⓑ 1 x Neoprene Foam

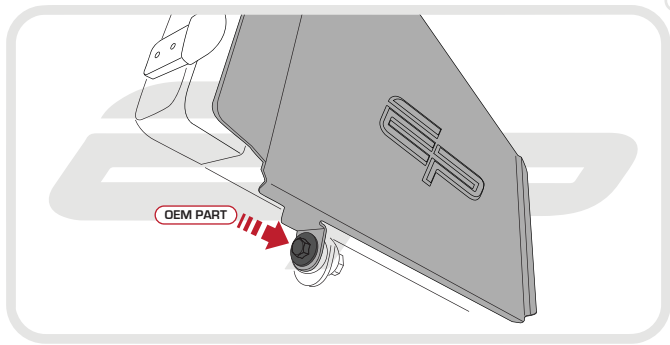
















Reverse Stage

2,1



### ESSENTIAL CHECKS

It is recommended that periodic inspections are made to ensure that dirt and debris have not become trapped between the guard and the radiator/oil cooler. Such dirt and debris would reduce the cooling efficiency of the radiator/oil cooler.

It is recommended that periodic inspections are made to ensure that all fixings are fully tightened.



**EVOTECH**®  
P E R F O R M A N C E

[www.evotech-performance.com](http://www.evotech-performance.com)