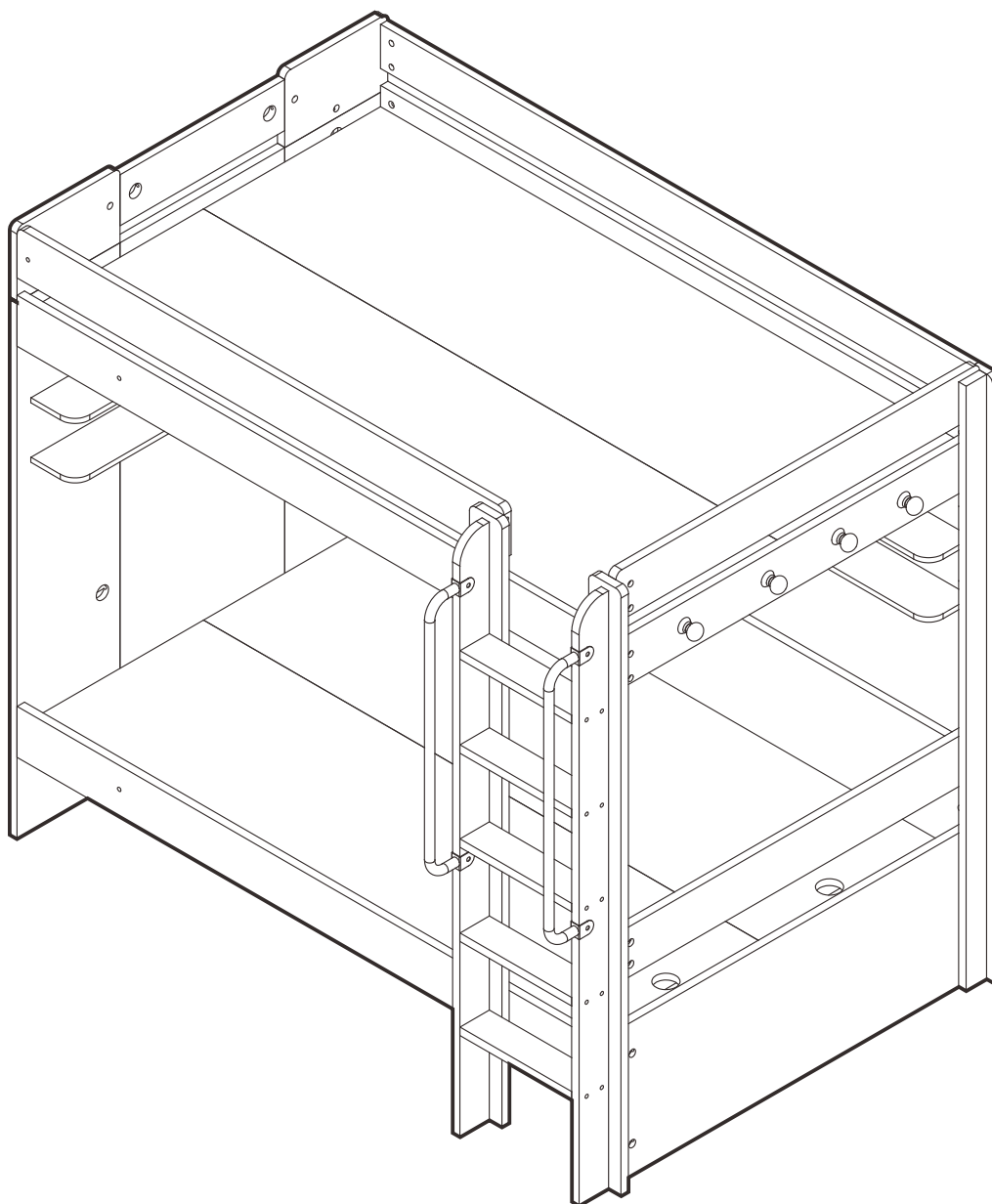
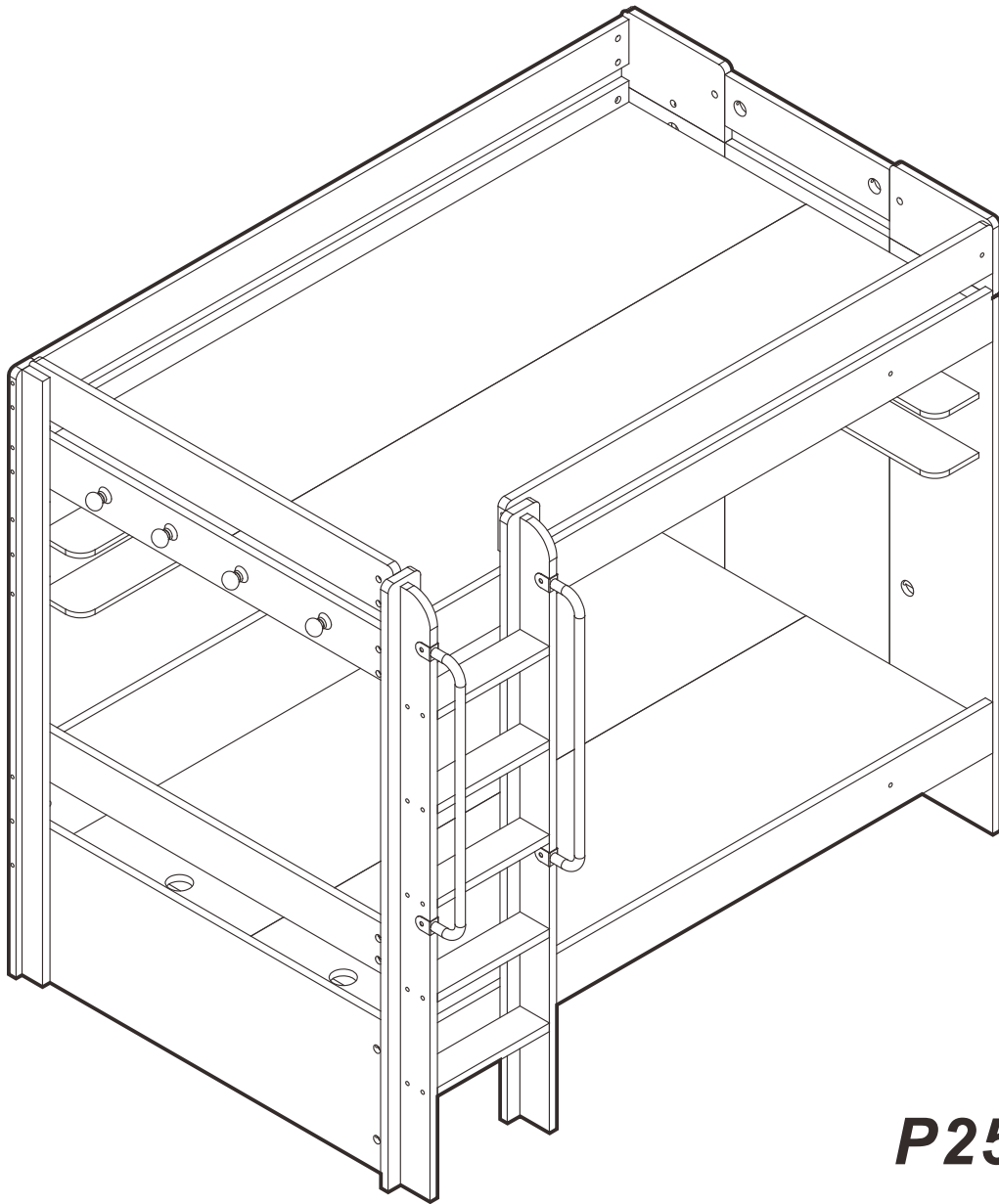


TEOM Bunk Bed Installation Manual

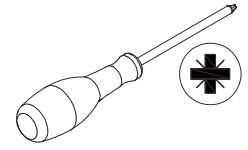
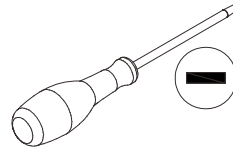
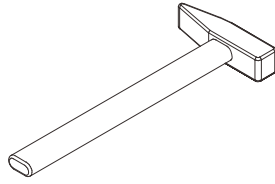
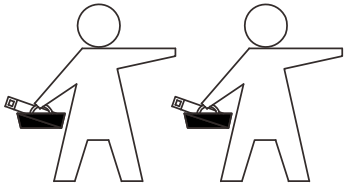


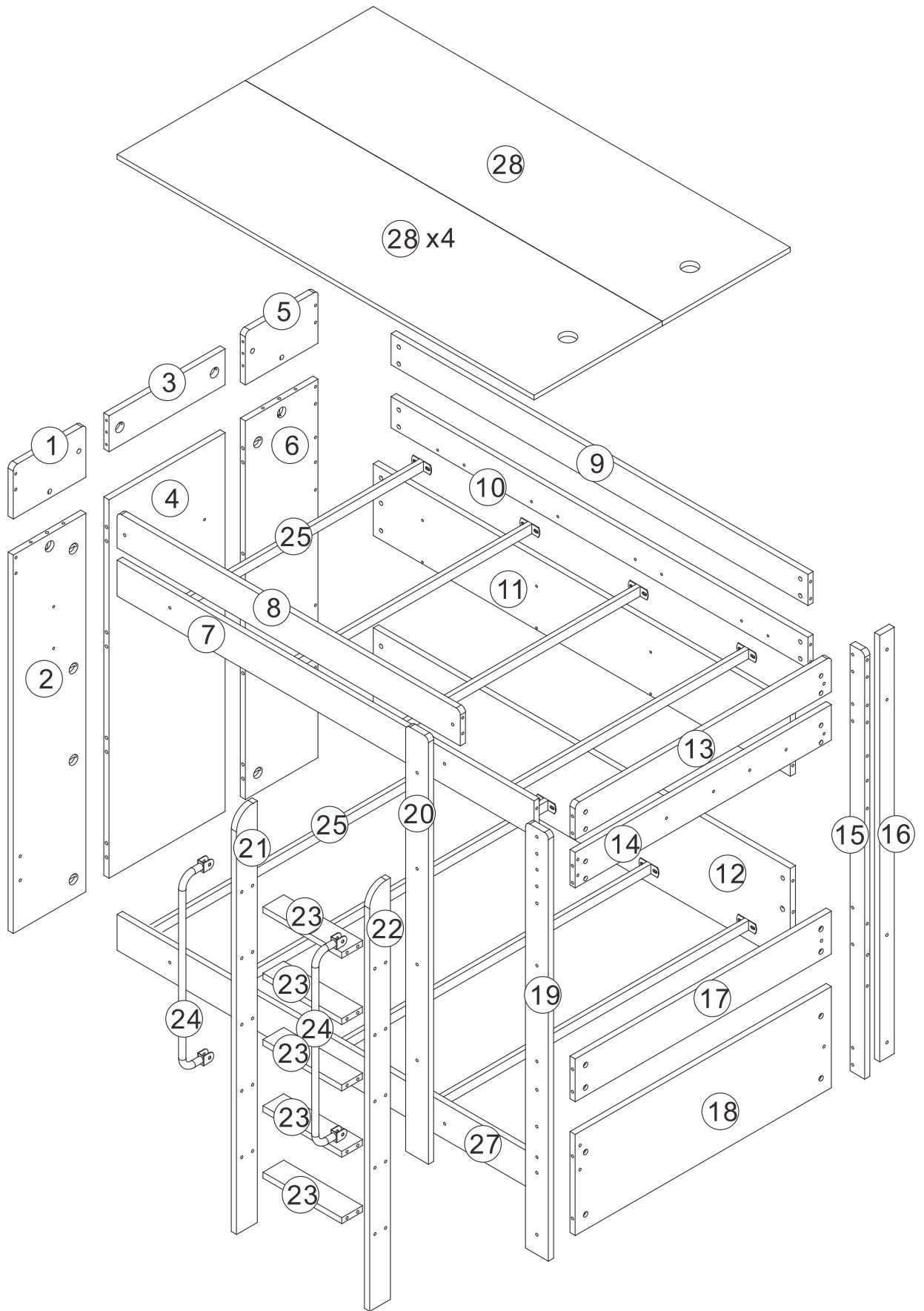
P3-P24



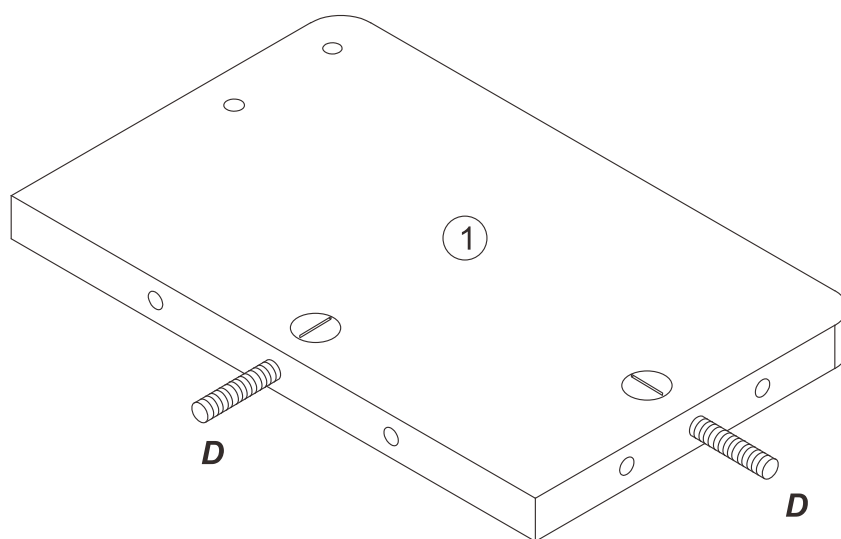
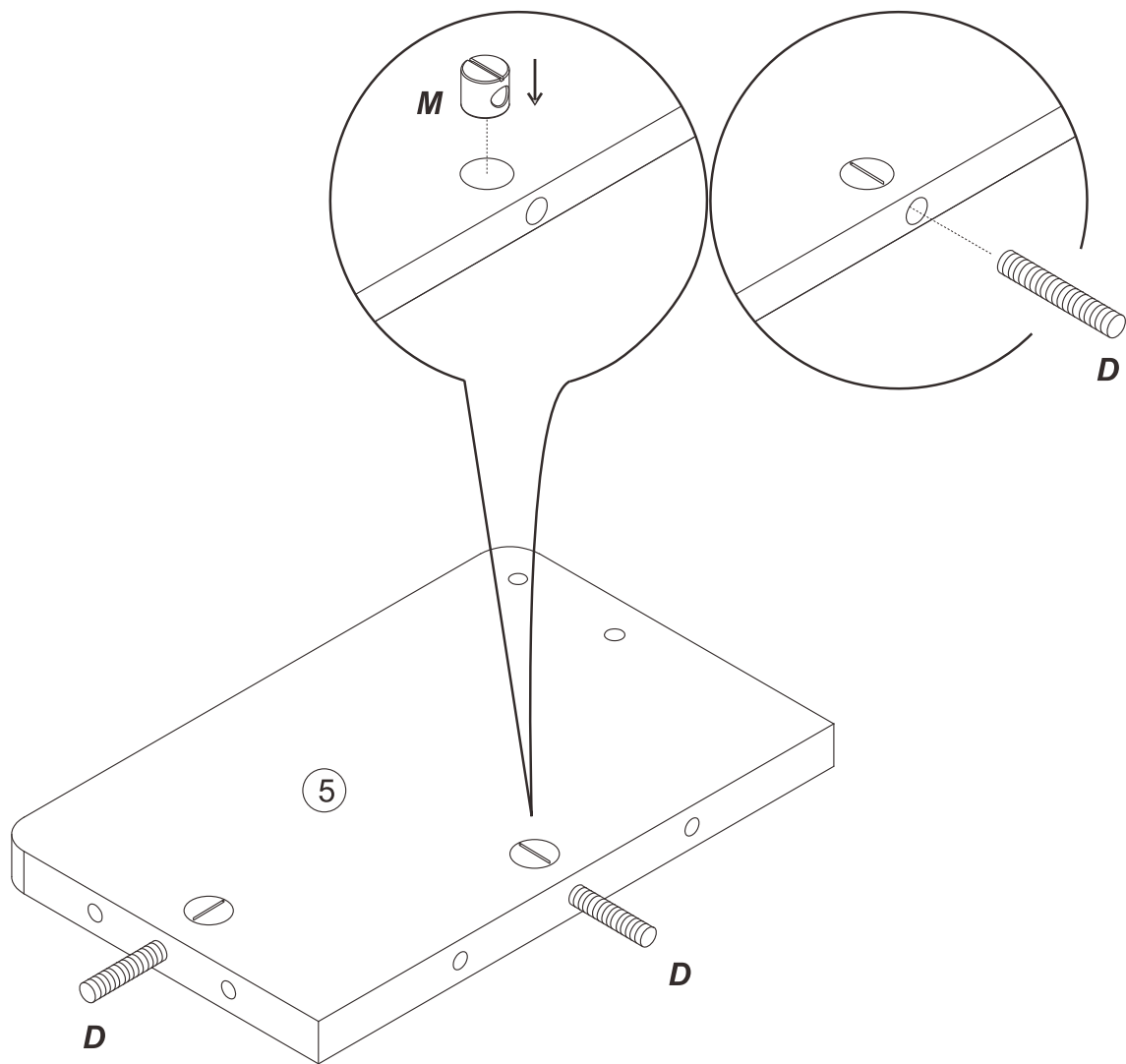




P25-P47



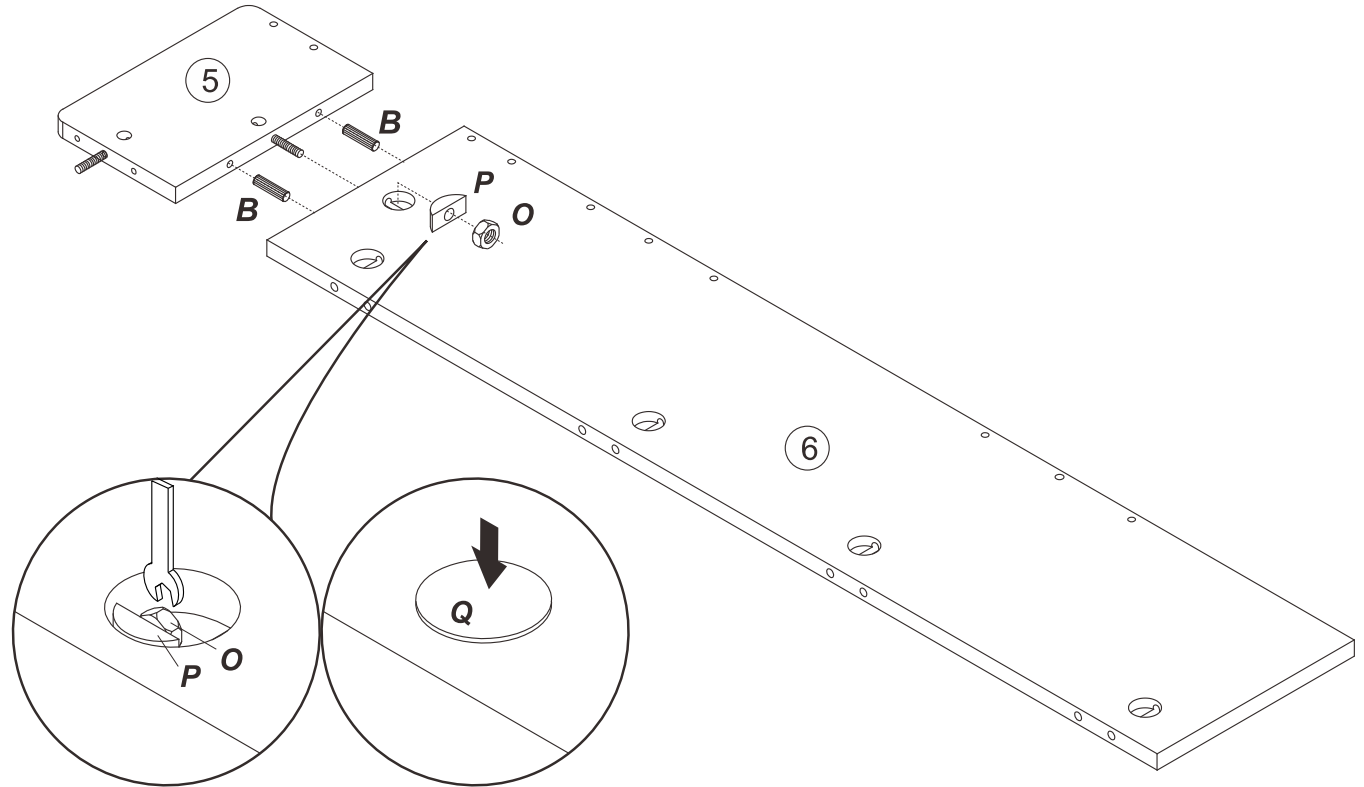
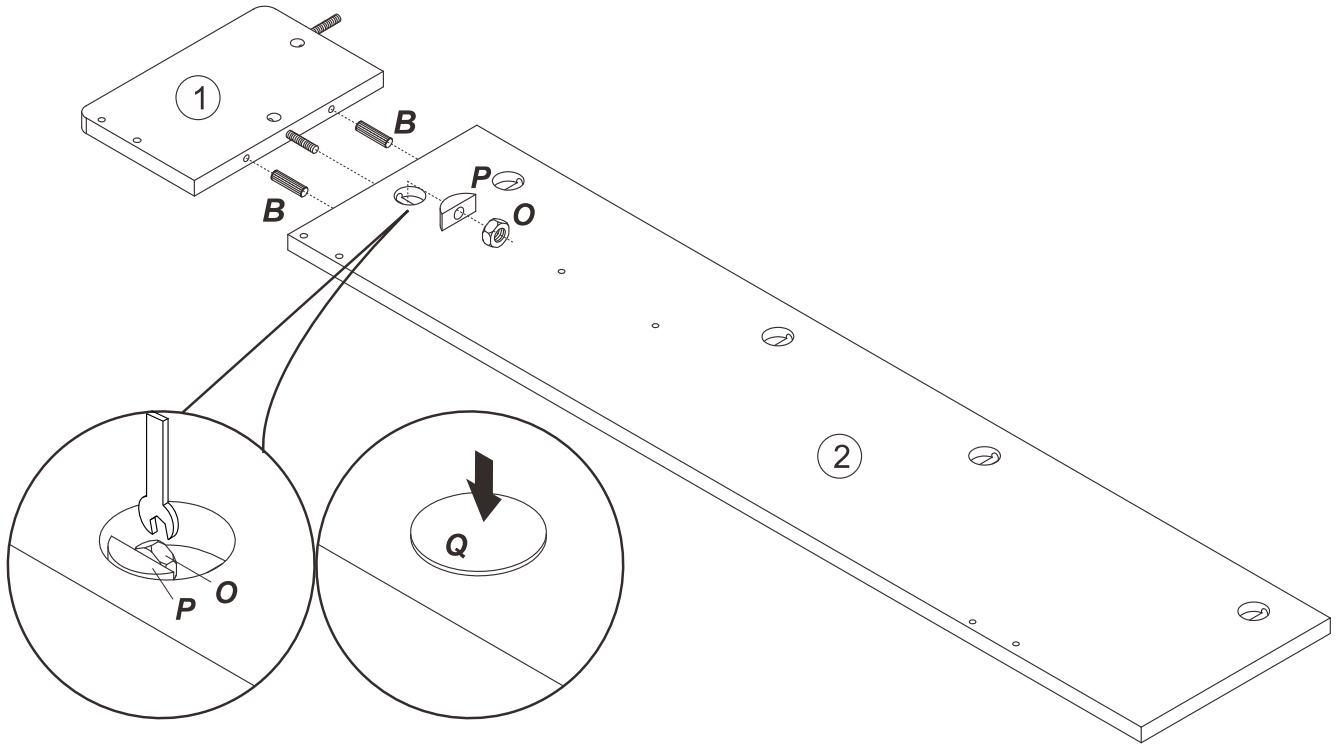





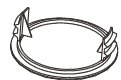
1.



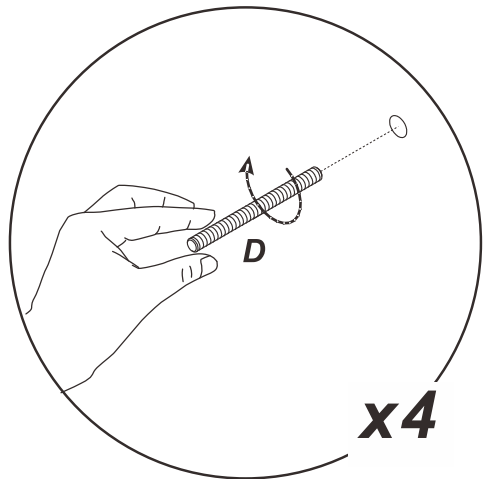
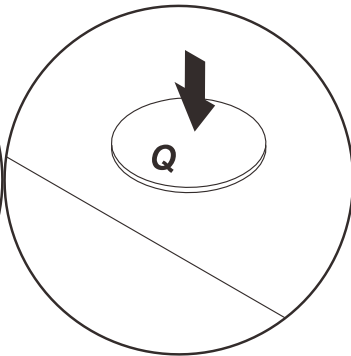
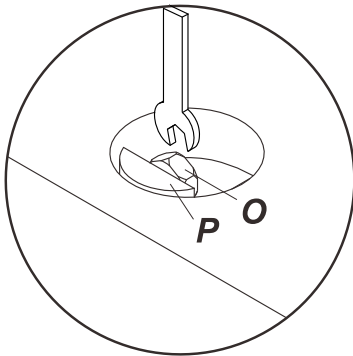
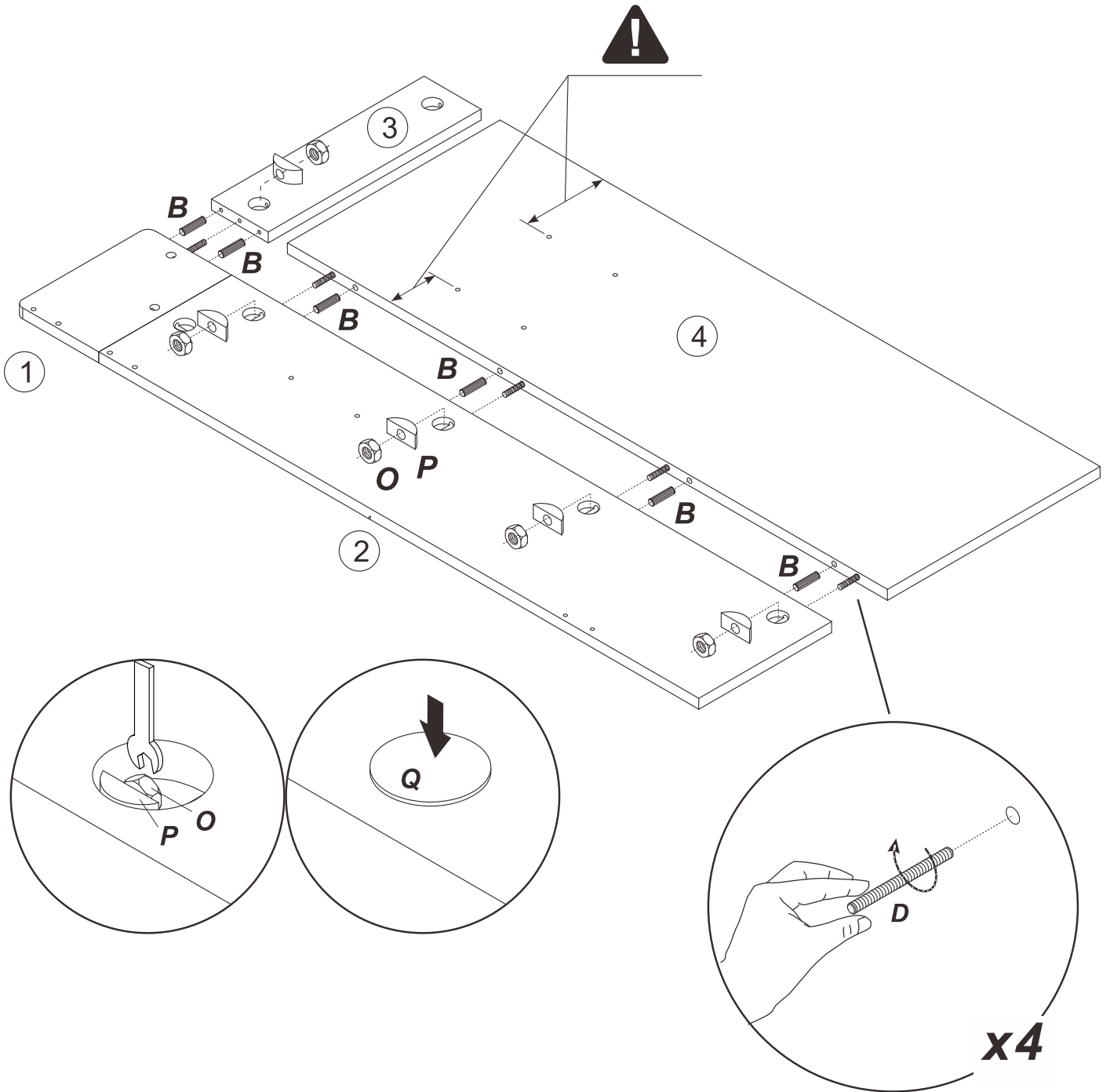
Dx4	Mx4
	
M8*80	M8*15

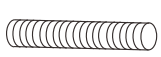


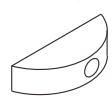

2.



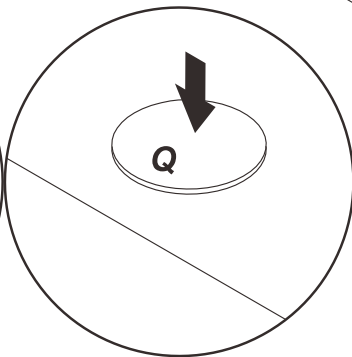
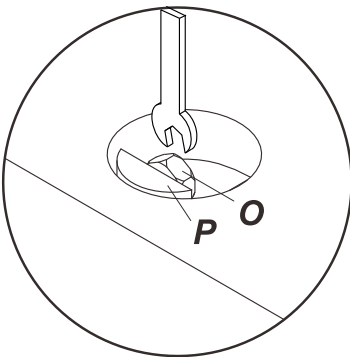
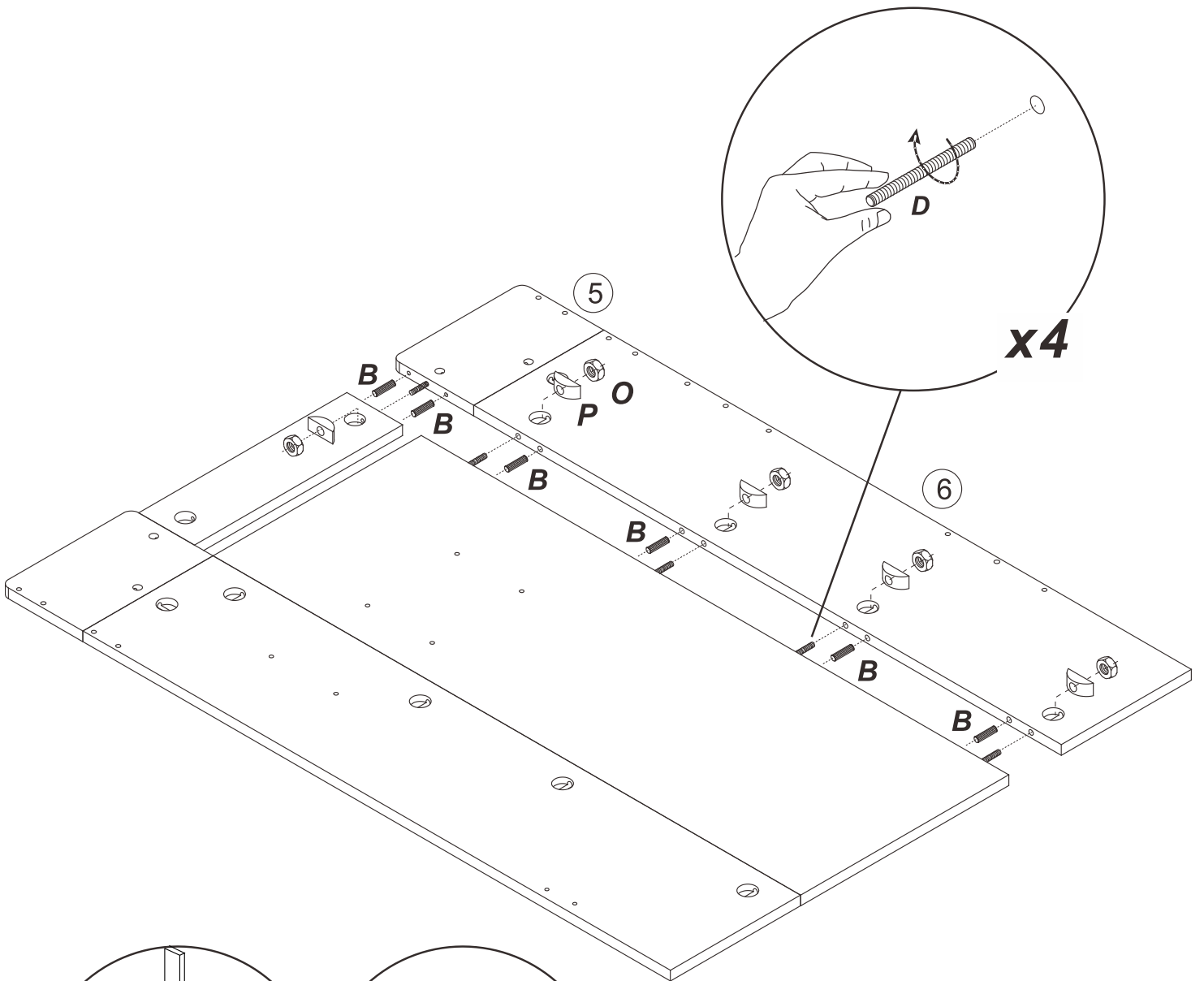
Bx4	Ox2	Px2	Qx2
			
	M8		


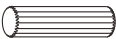



3.



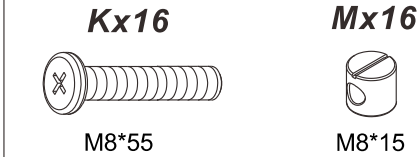
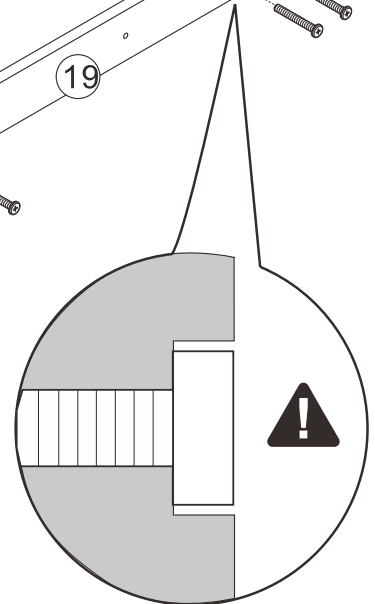
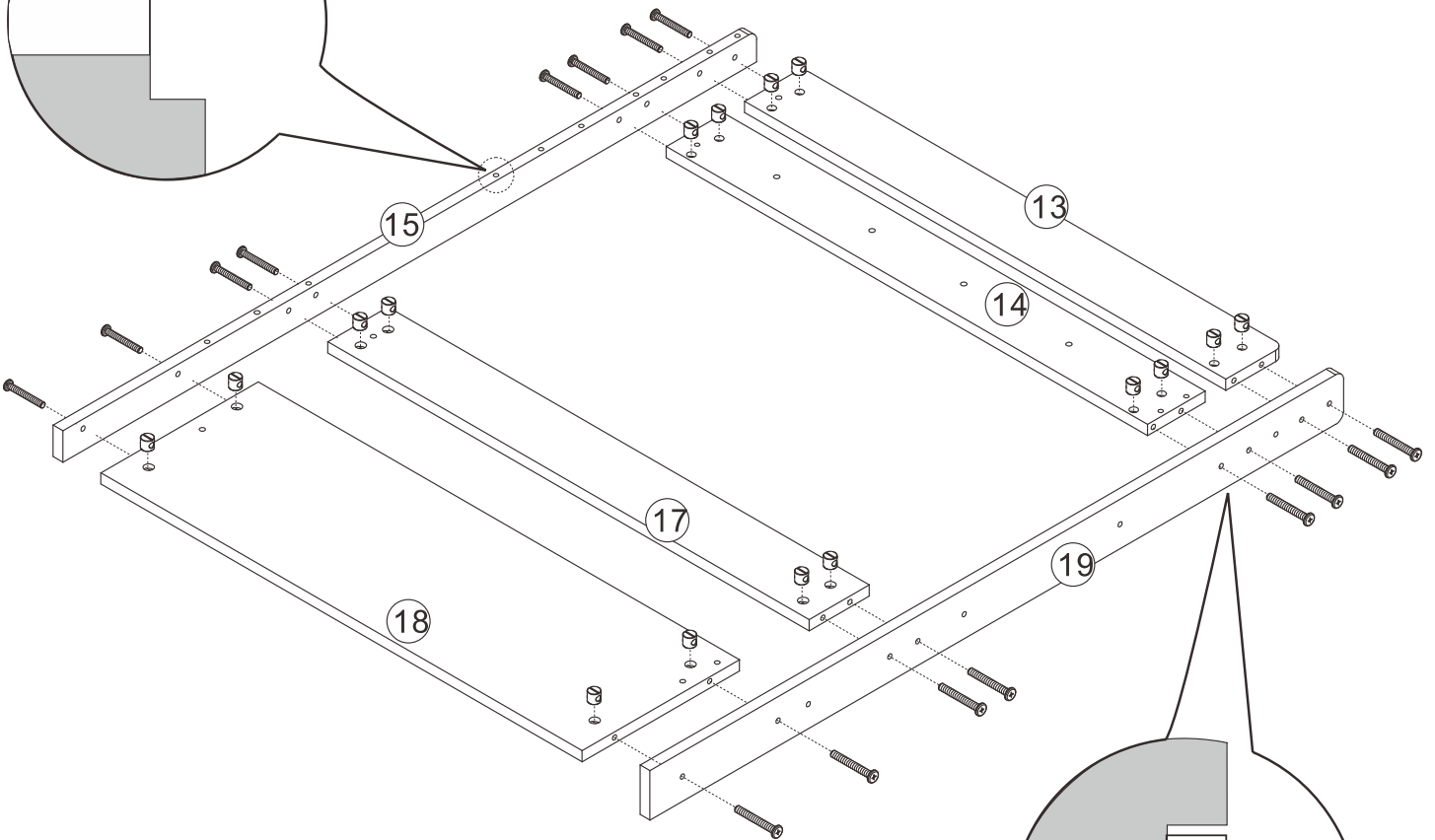
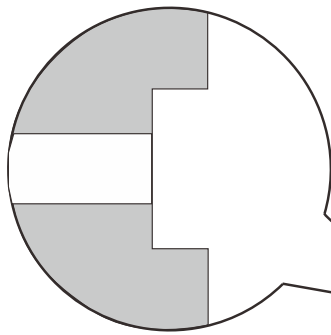
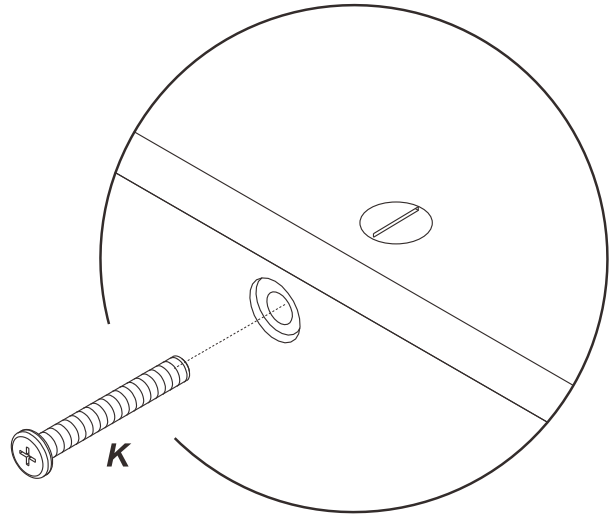
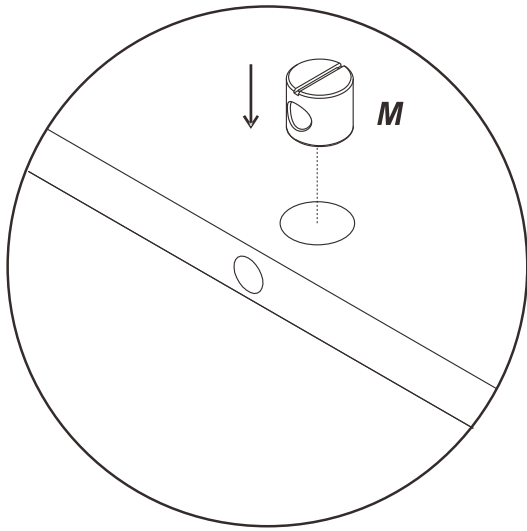
Dx4	Bx6	Ox5	Px5	Qx5
				
M8*80		M8		

4.

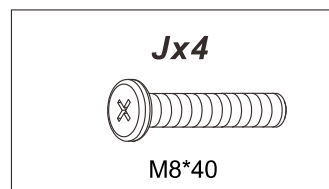
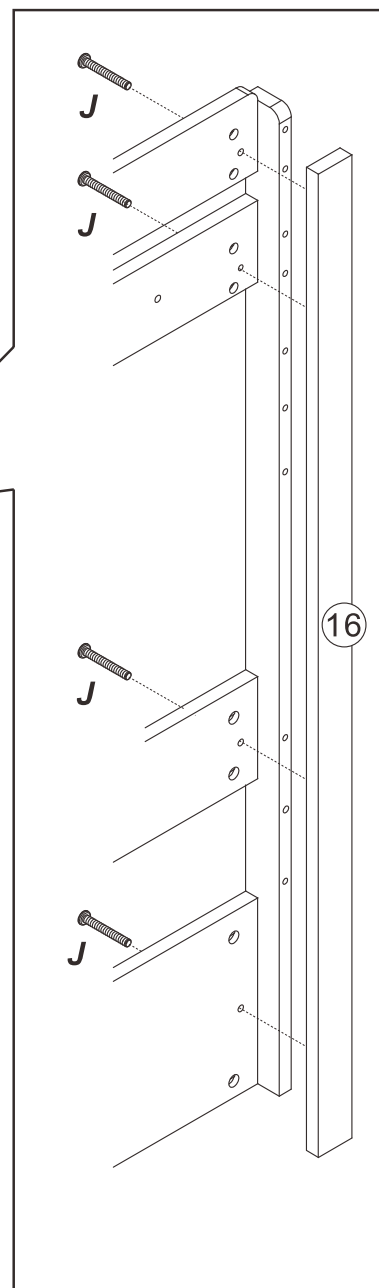
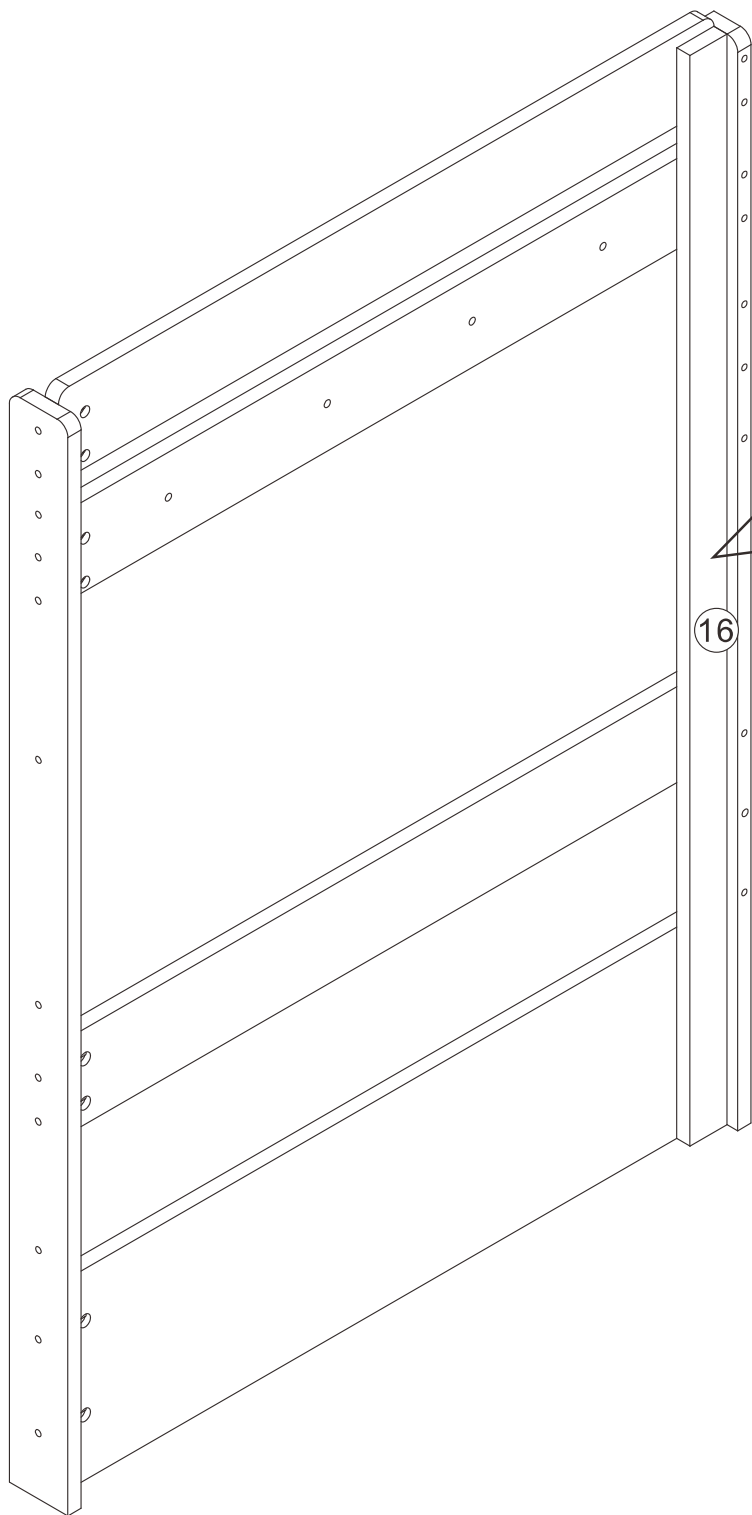


Dx4	Bx6	Ox5	Px5	Qx5
				
M8*80		M8		

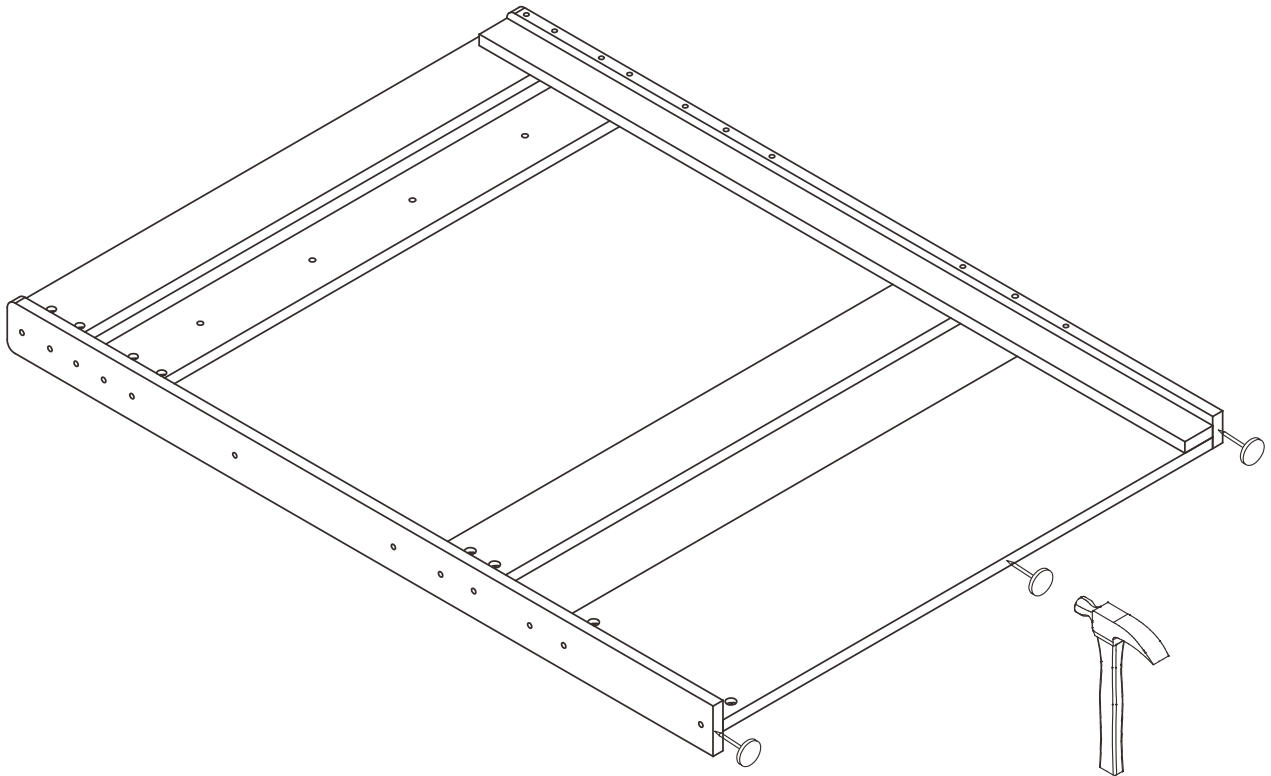
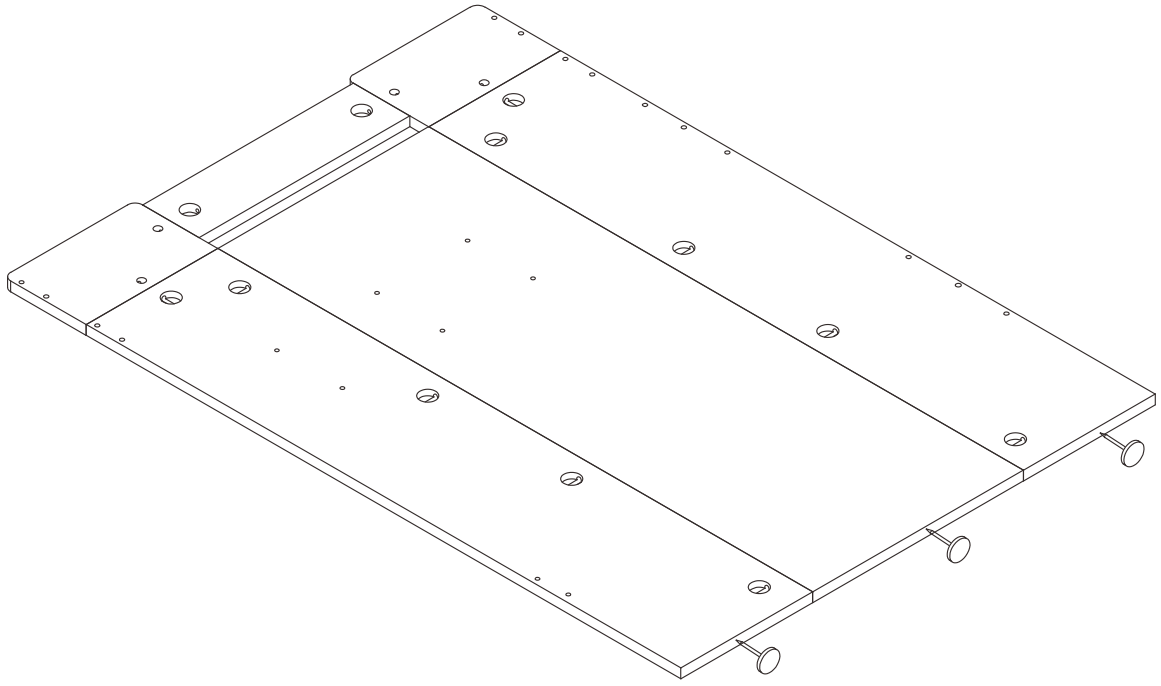
5.




6.



7.

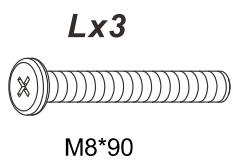
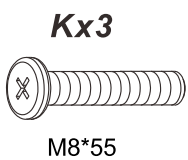
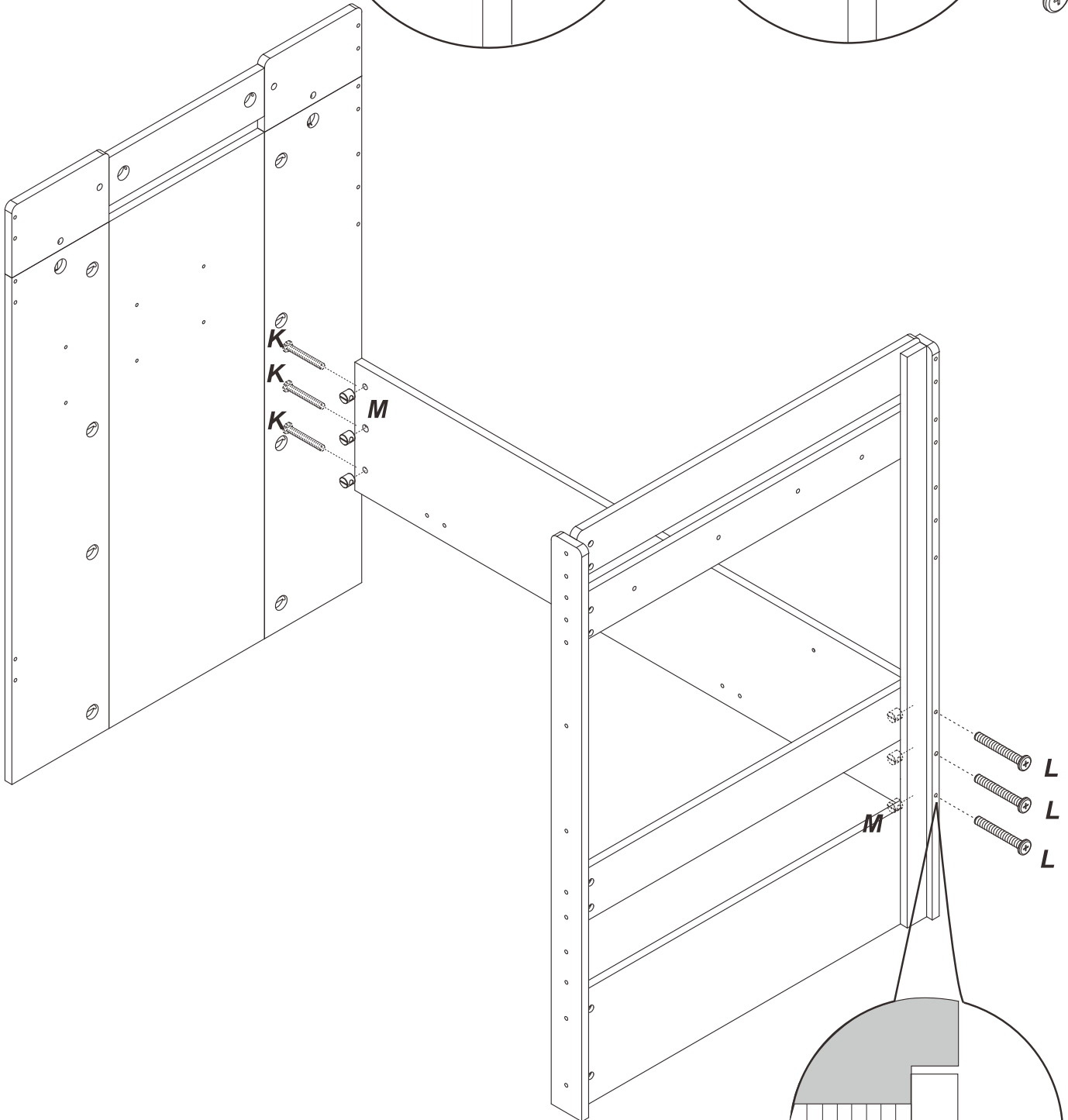
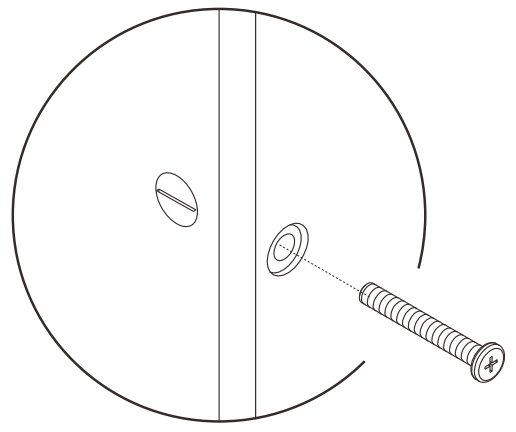
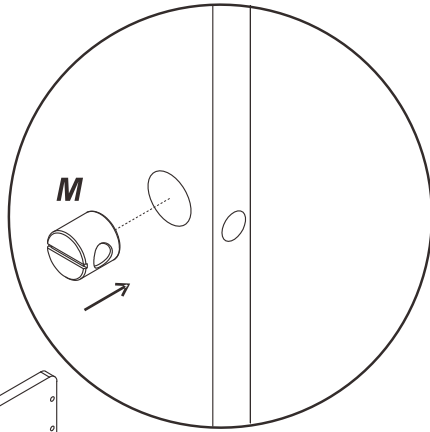


Ux 6

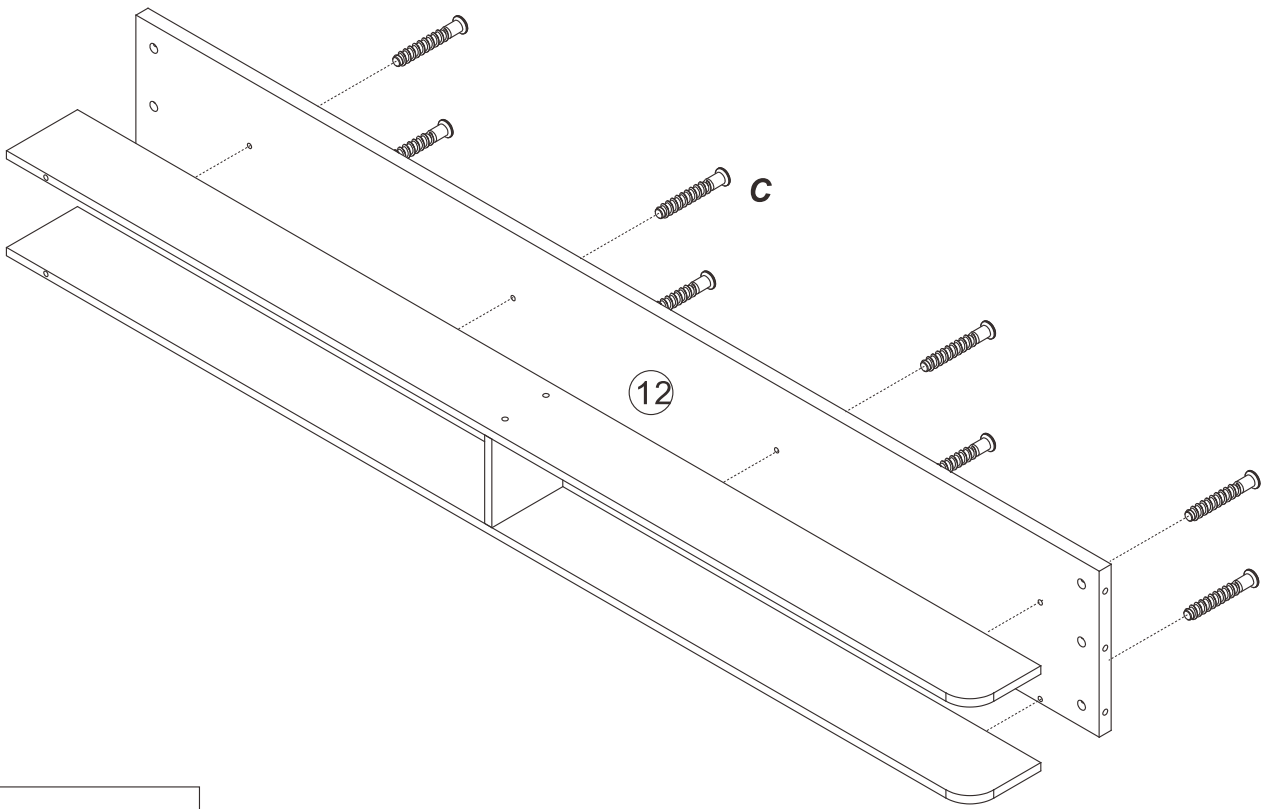
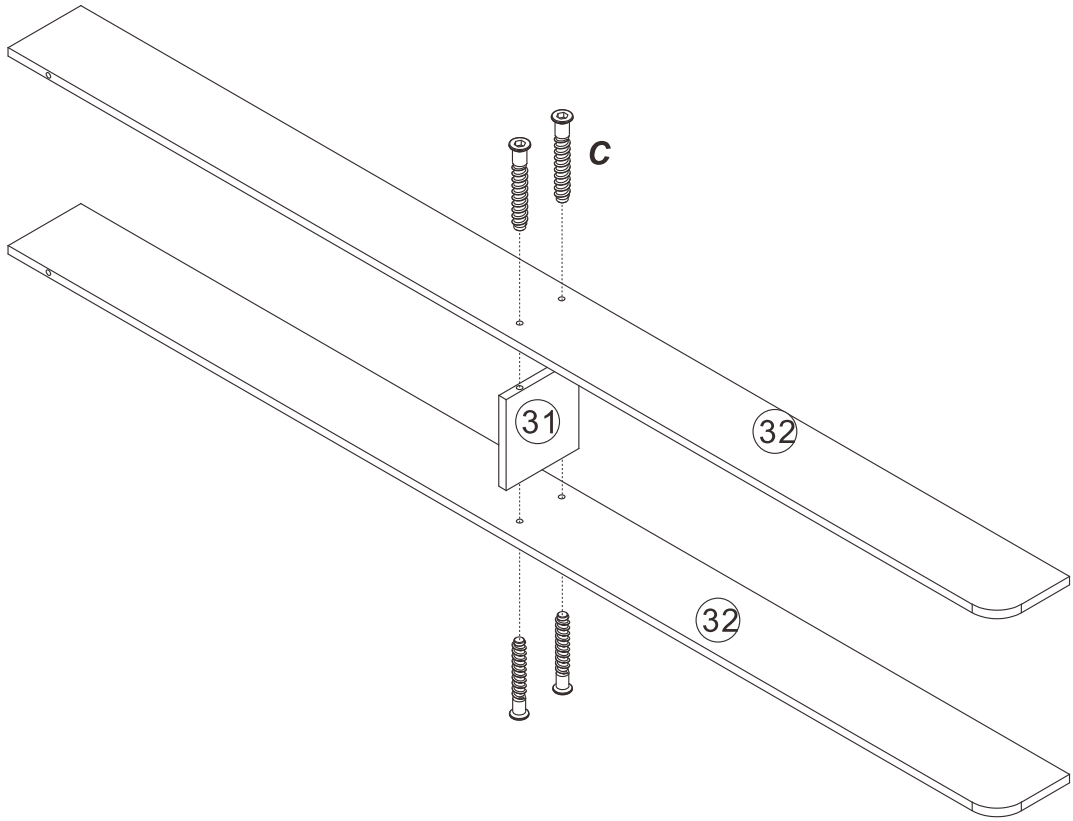


A small icon of a nail with a circular head and a pointed tip, positioned below the text 'Ux 6'.

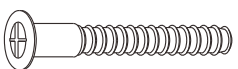
8.



9.

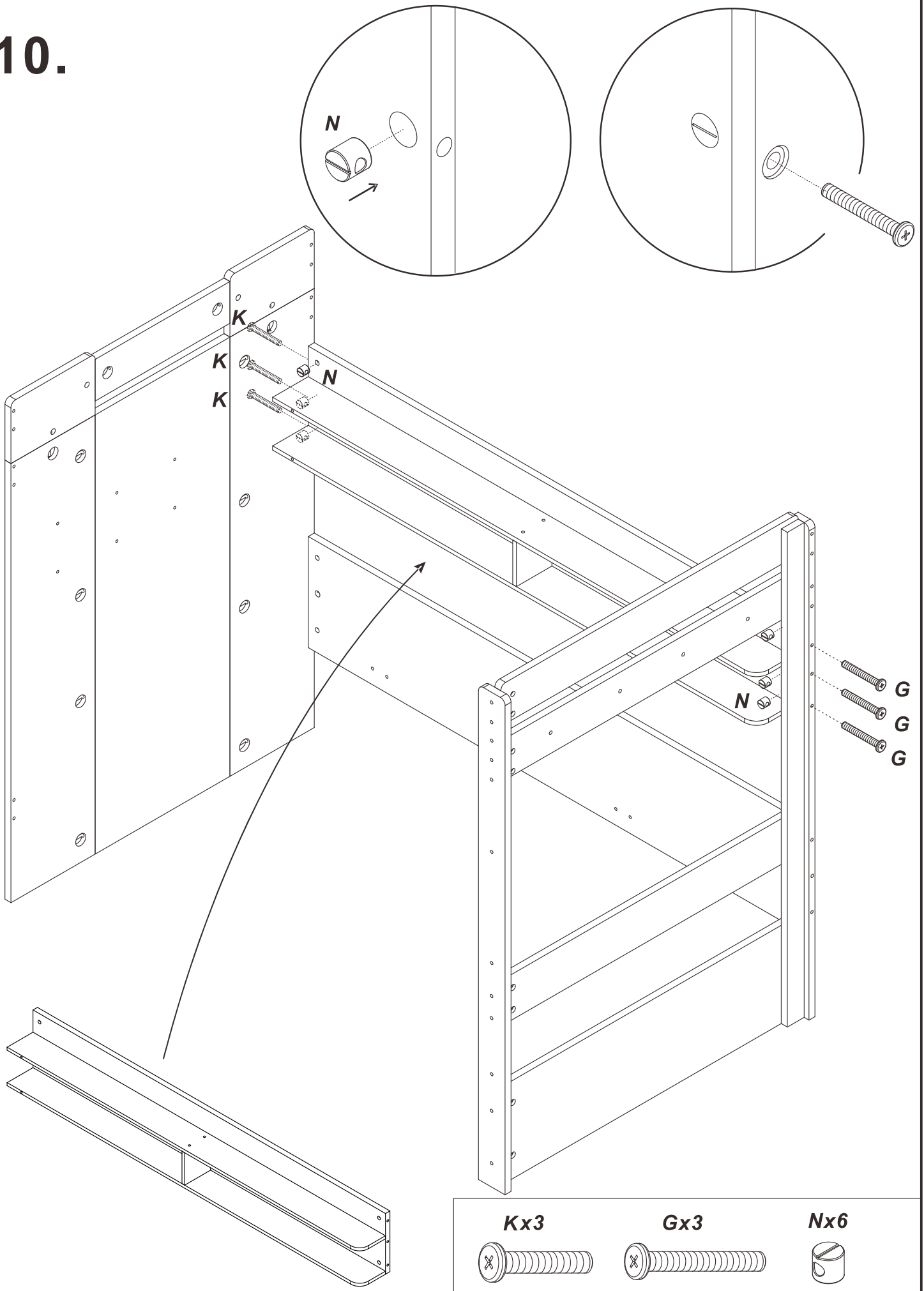


Cx12

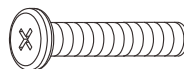


M7*38

10.

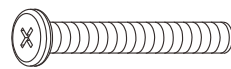


Kx3



M8*55

Gx3



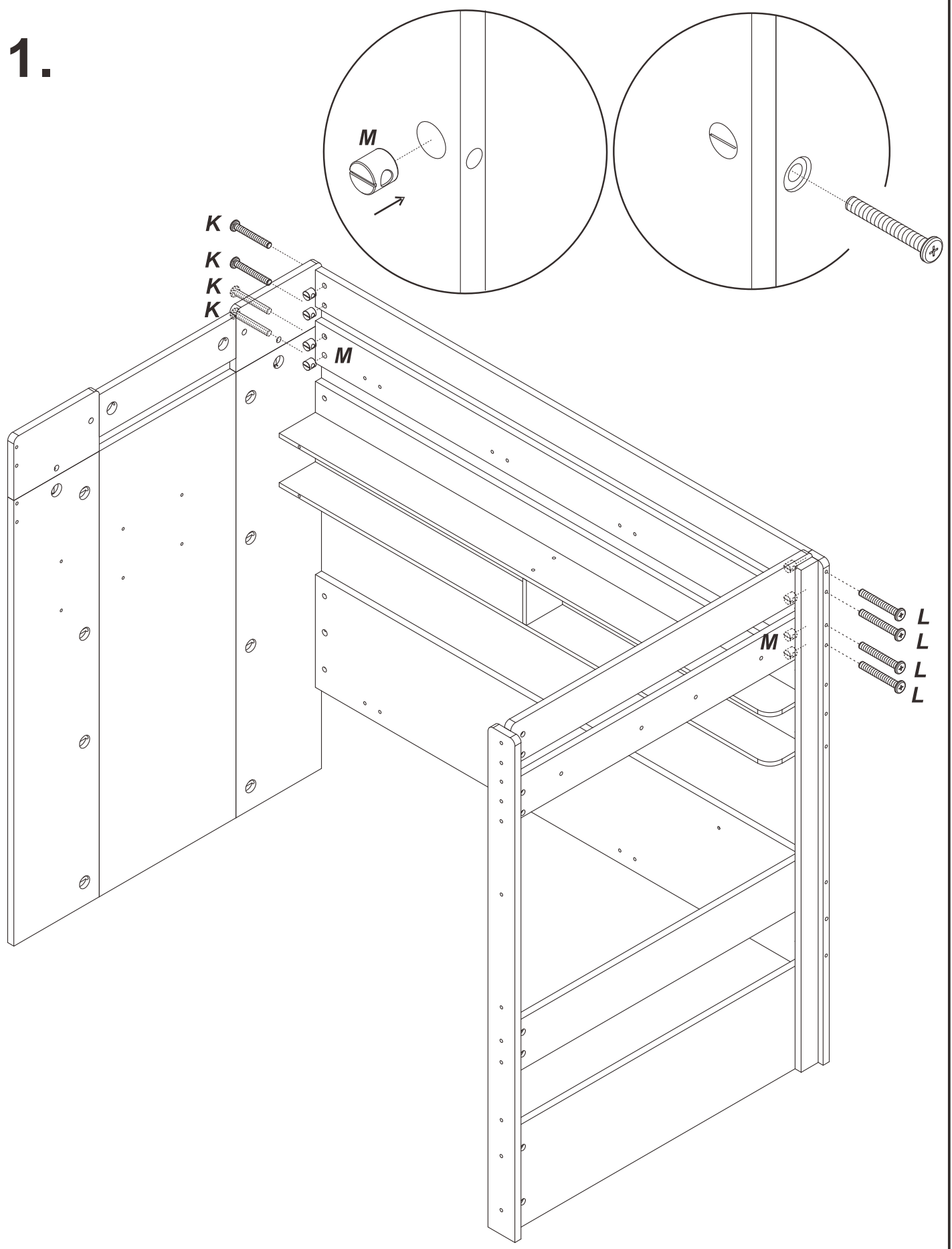
M6*90

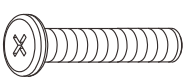
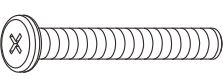

Nx6



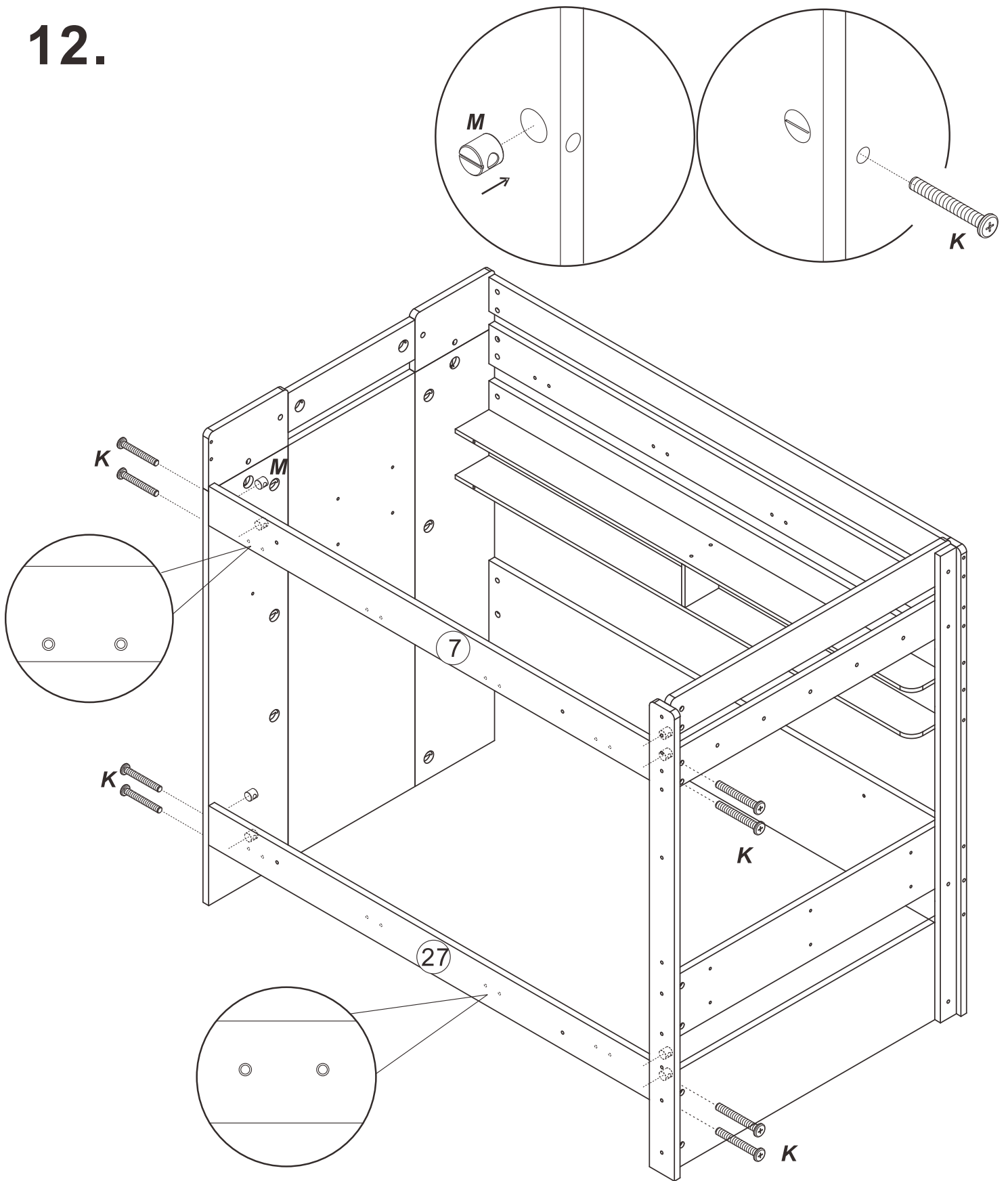
M6*12

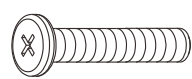

11.



Kx4	Lx4	Mx8
		
M8*55	M8*90	M8*15

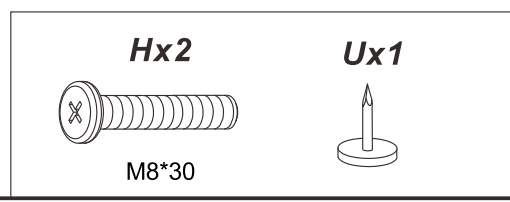
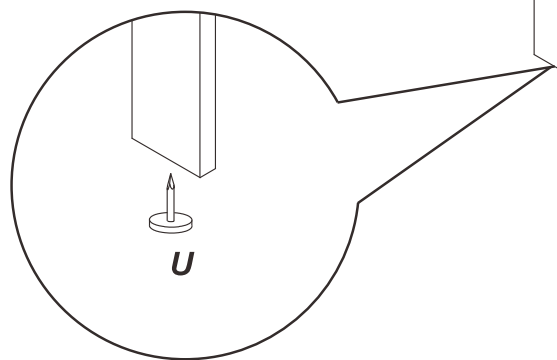
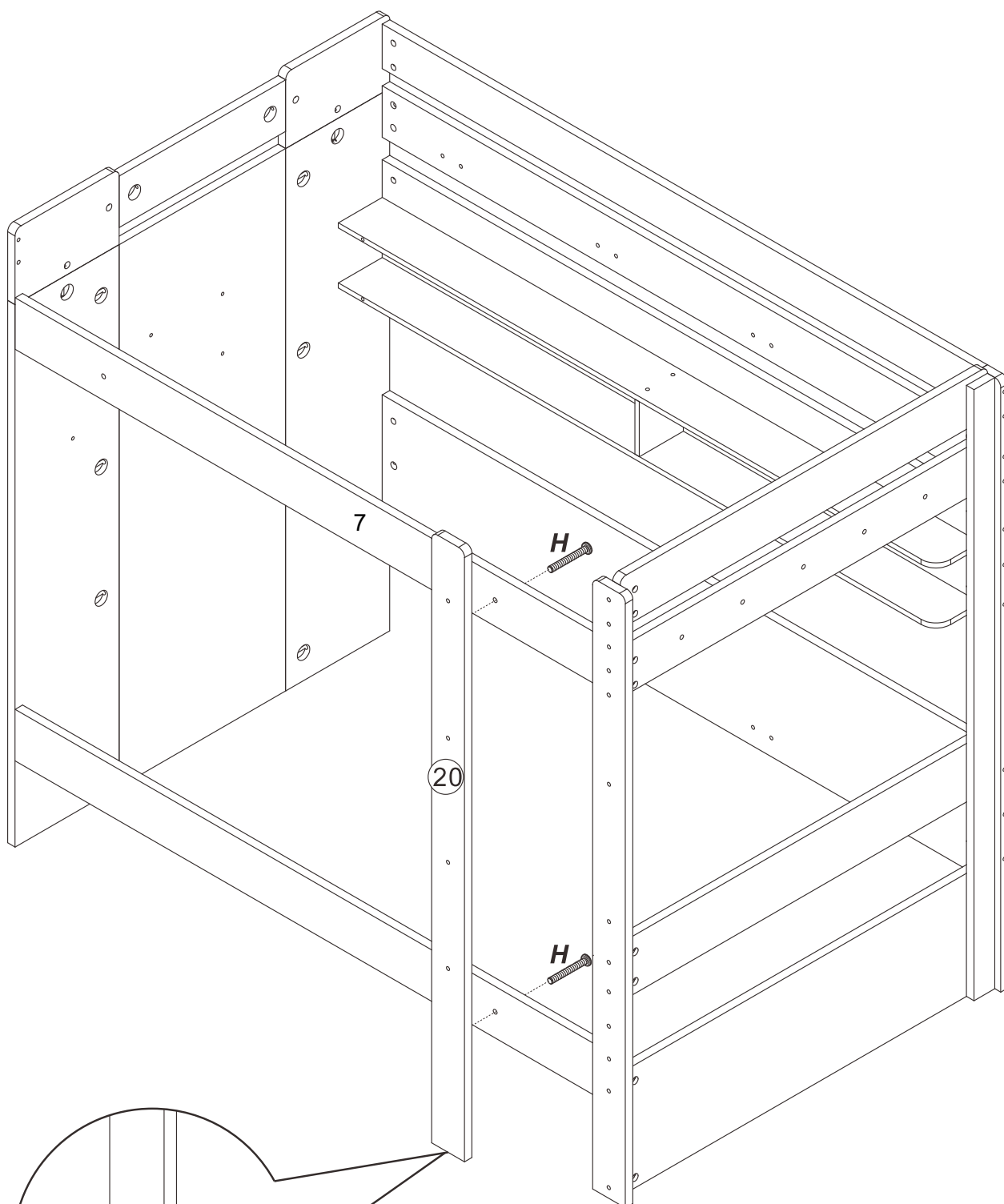
12.



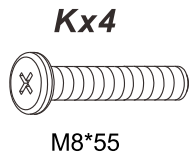
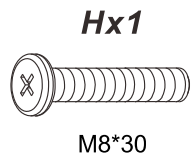
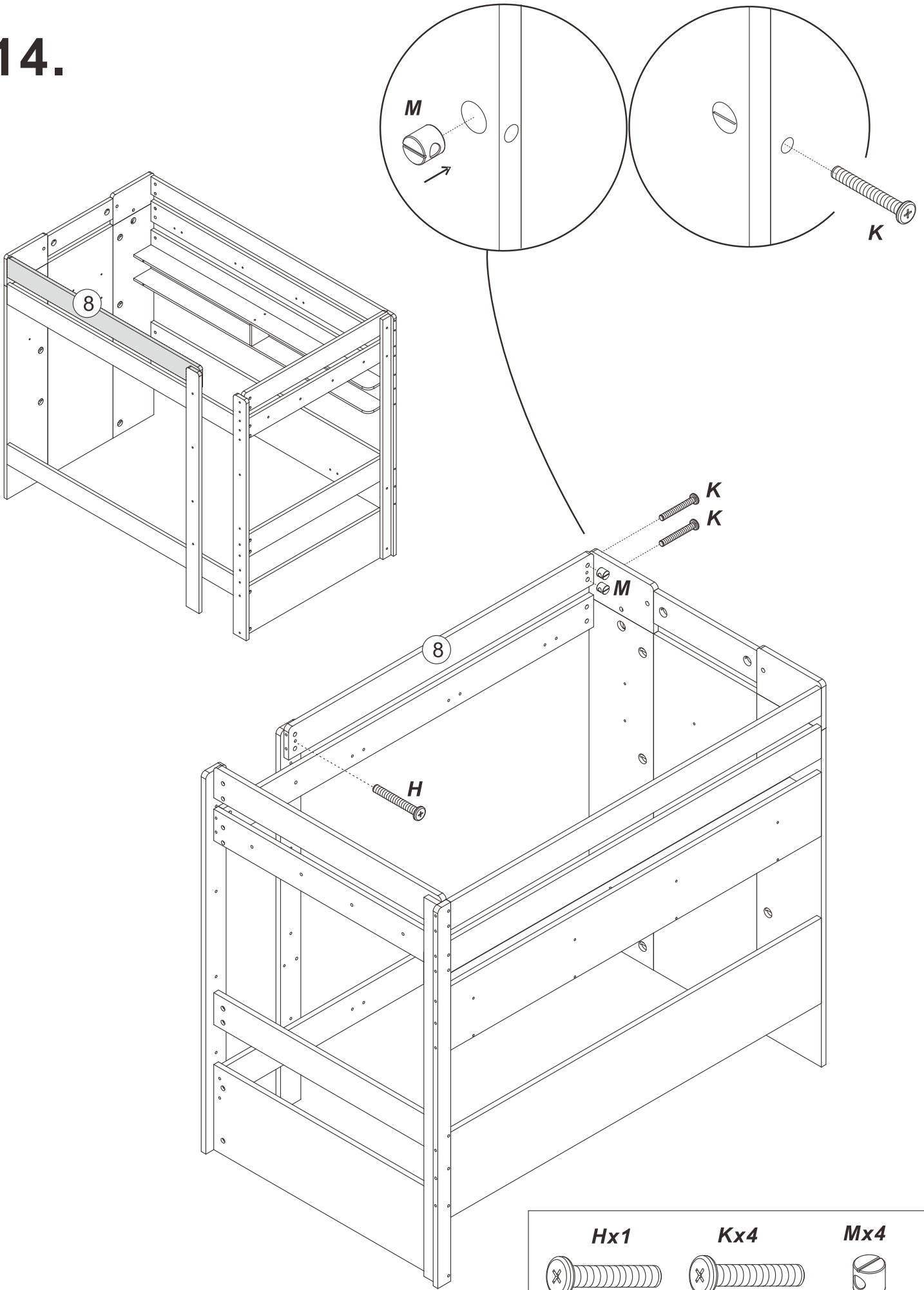
Kx8	Mx8
	
M8*55	M8*15

13.

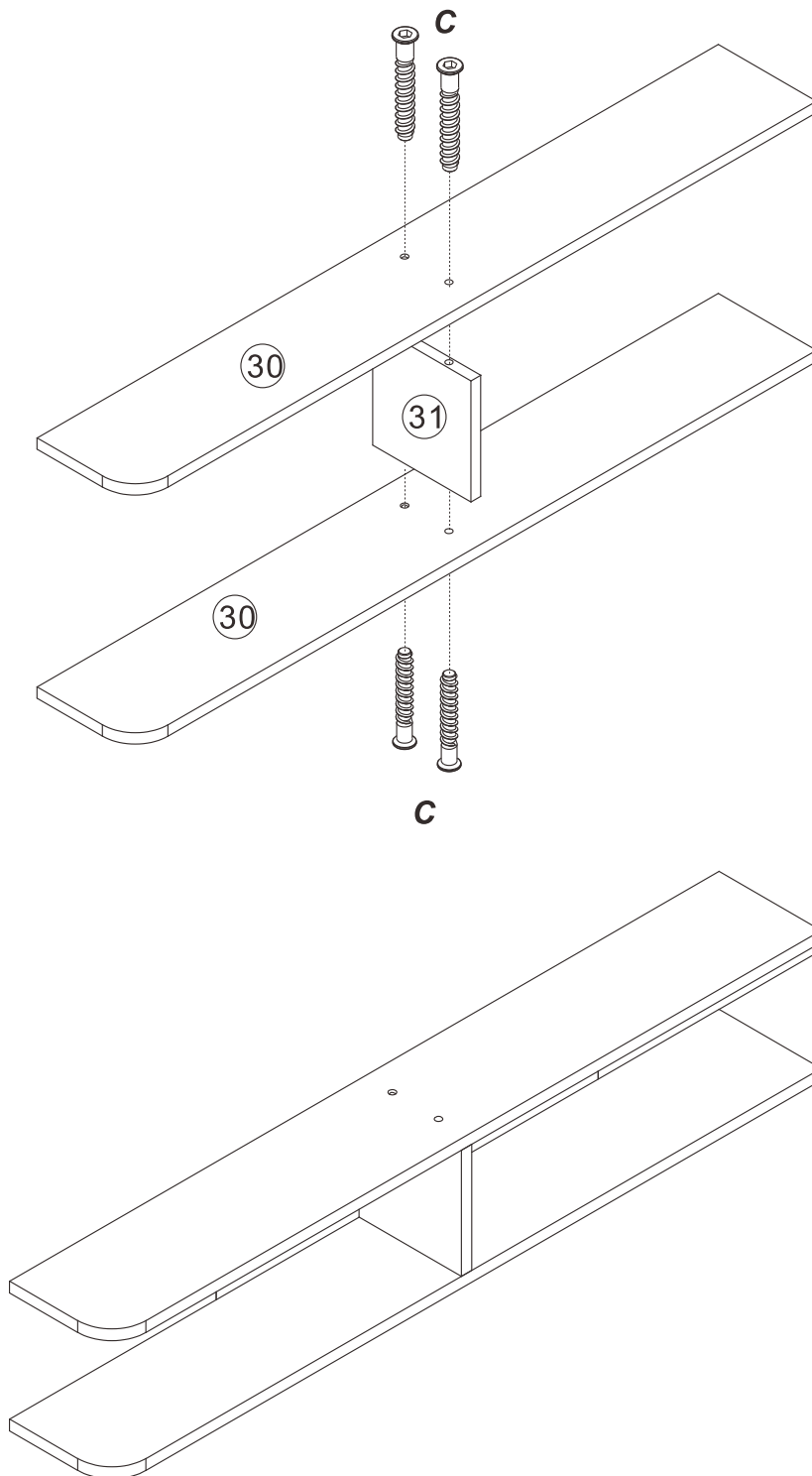
Note: on panel 7, the holes are not punched through so that the ladder side can be switched as needed, please use drill bit or the provided wood screw (A) to drill through to widen the holes.



14.



15.

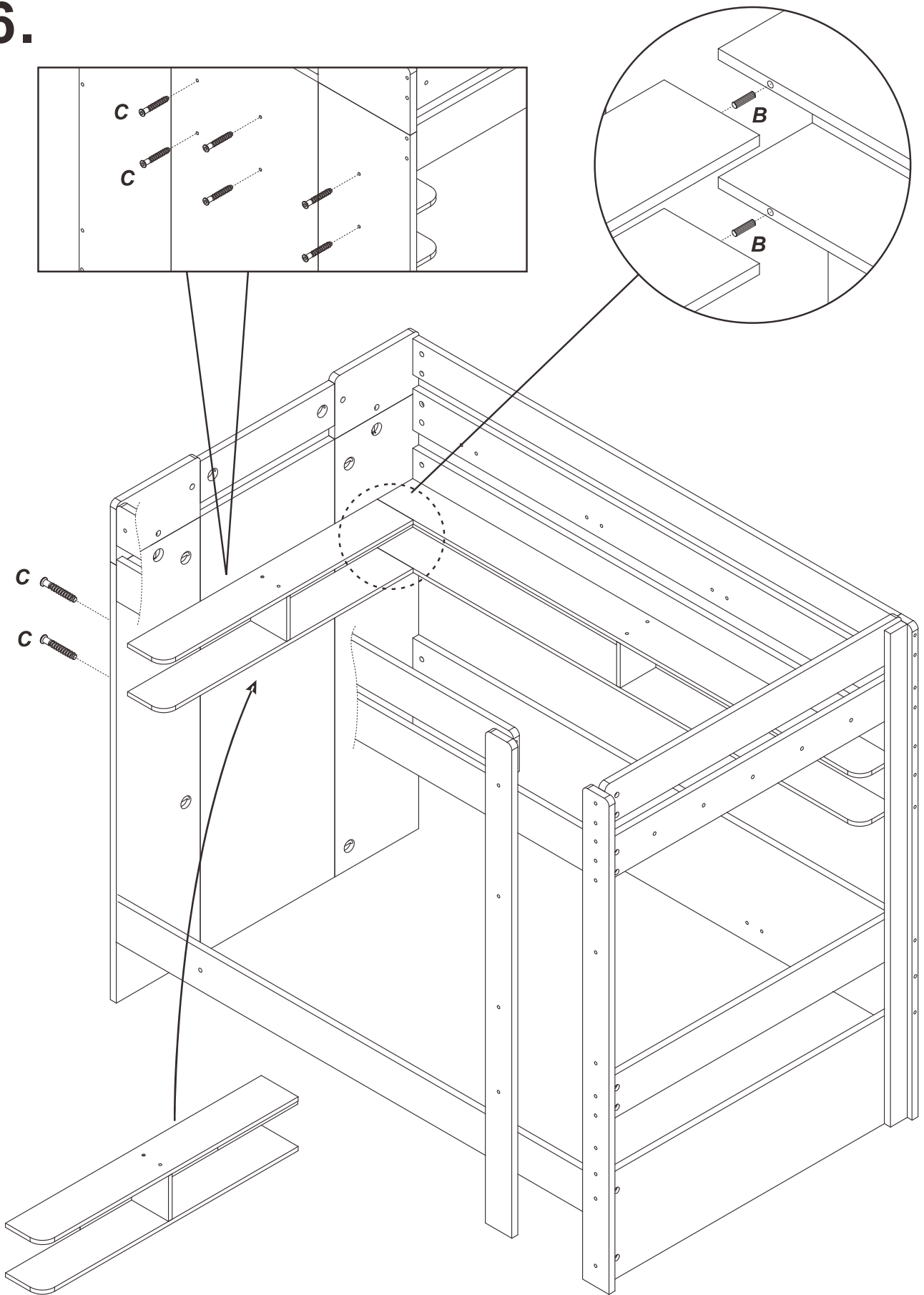


Cx4



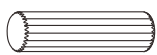
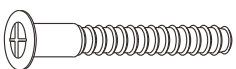
M7*38

16.



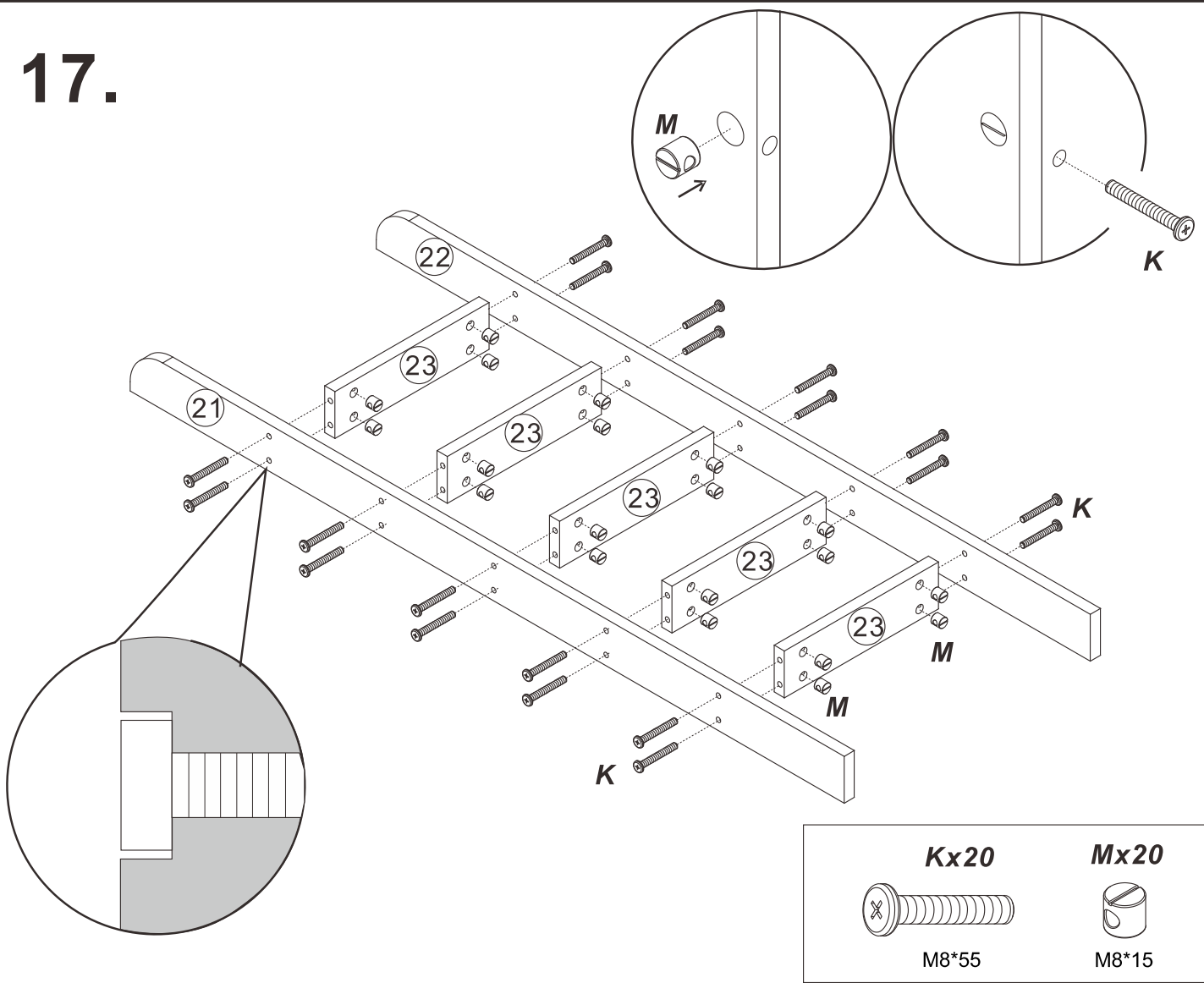
Cx4

Bx2

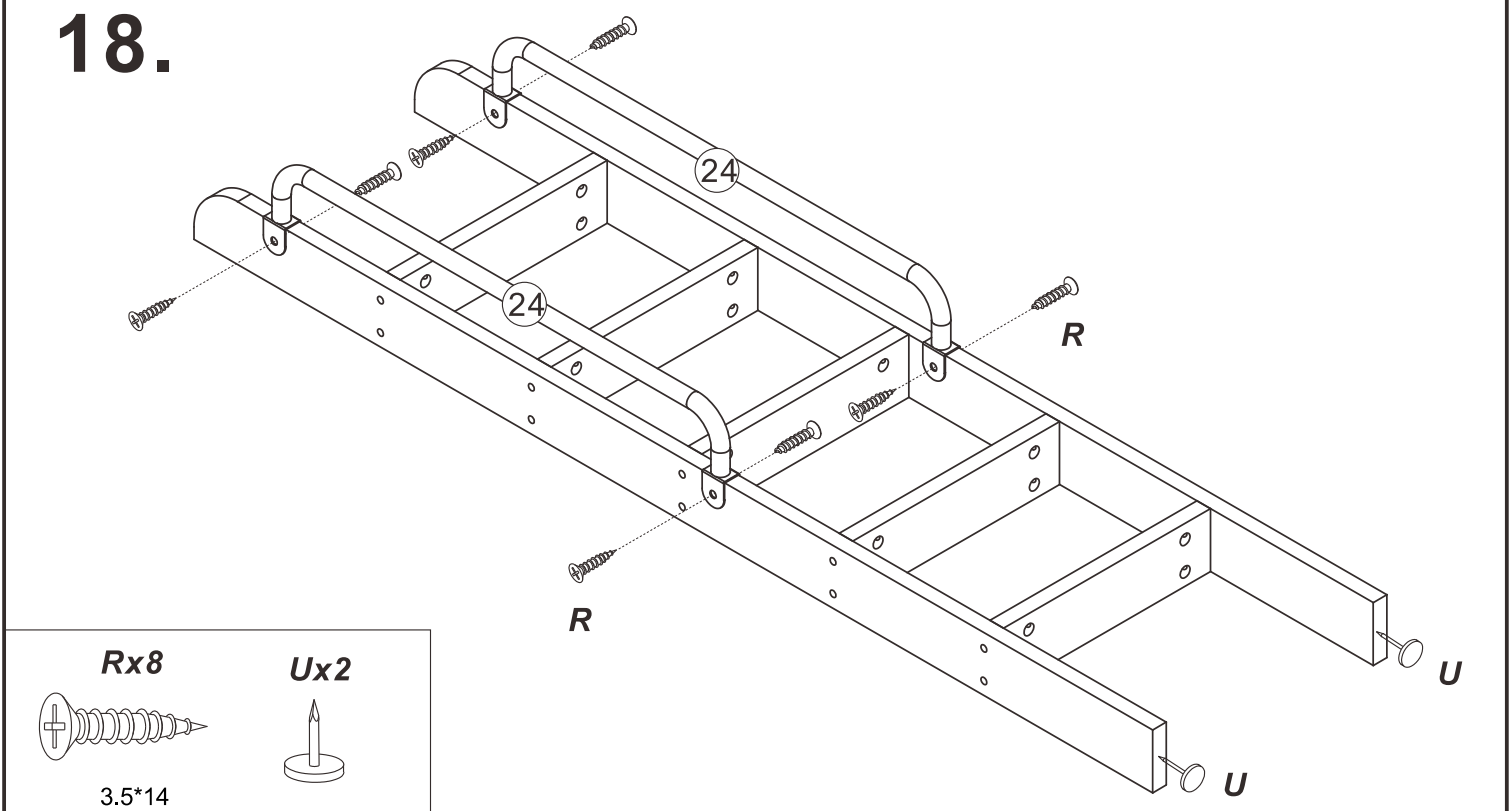


M7*38

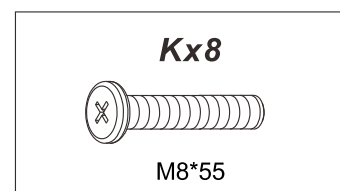
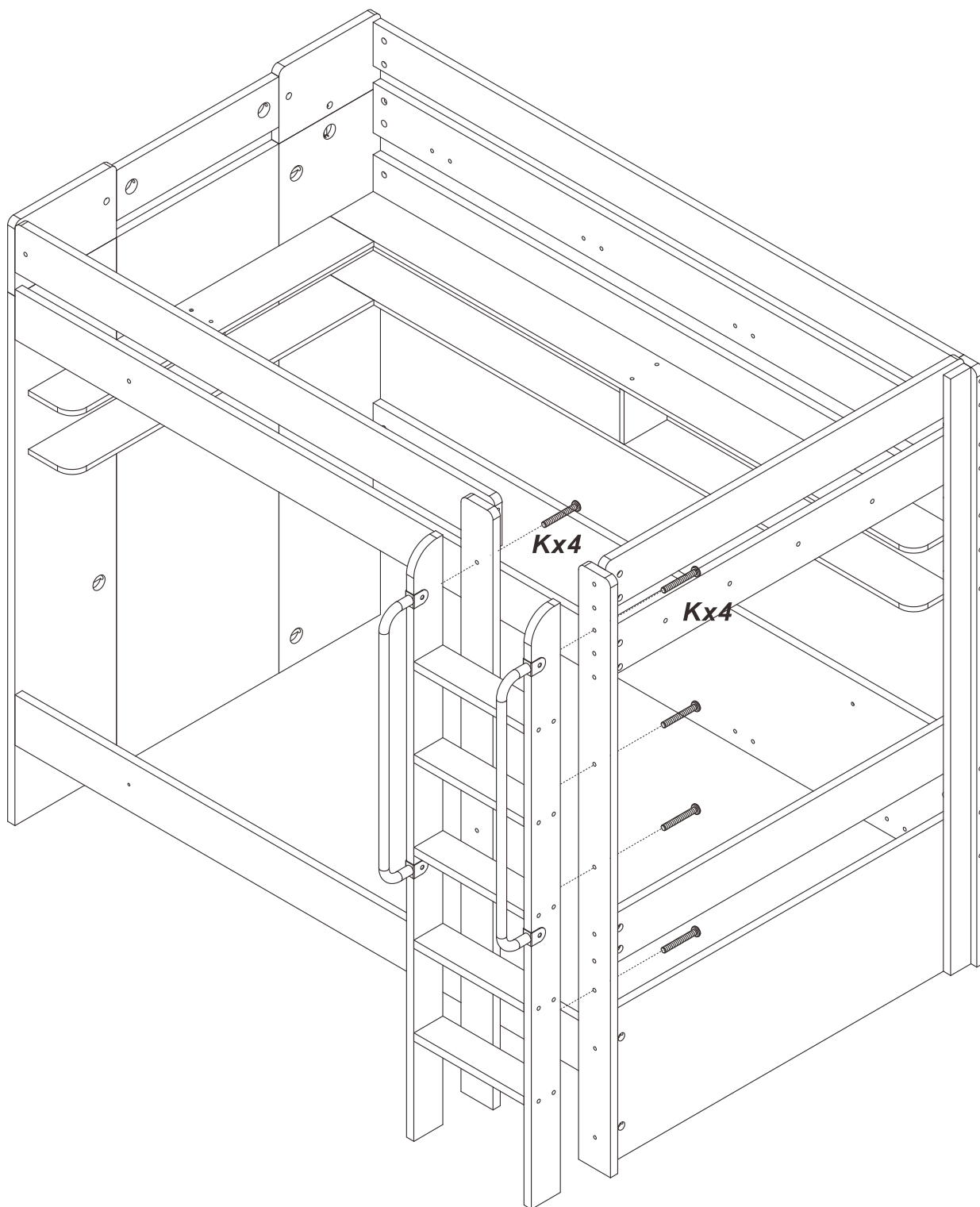
17.



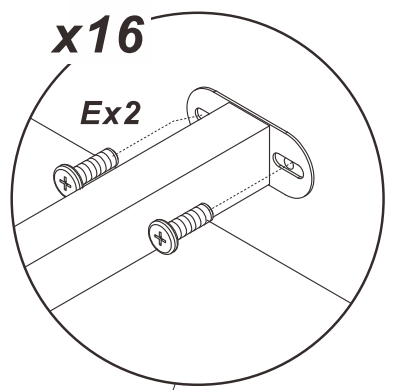
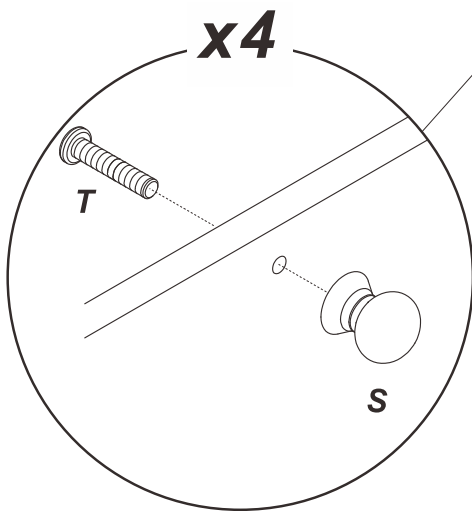
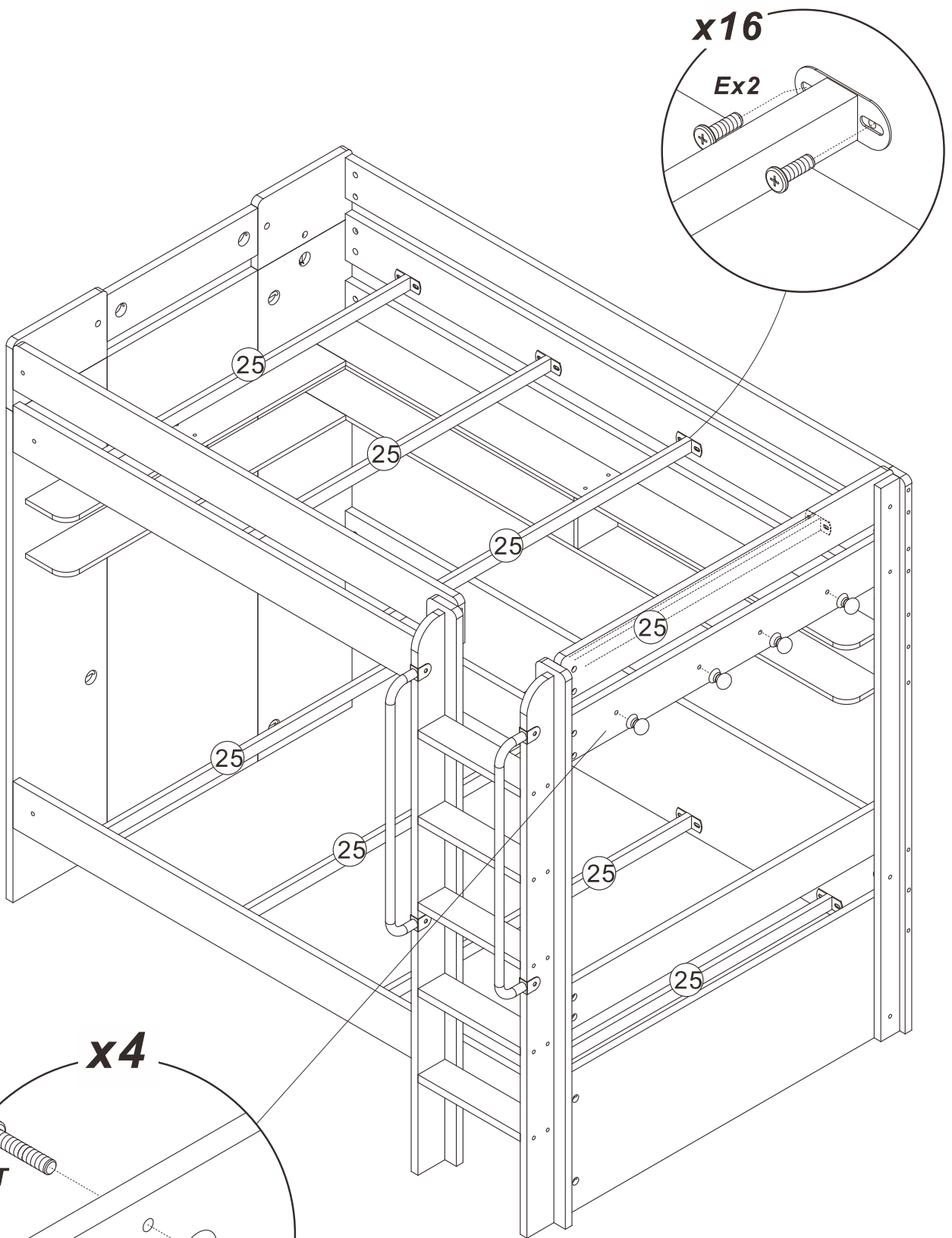
18.

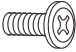




19.

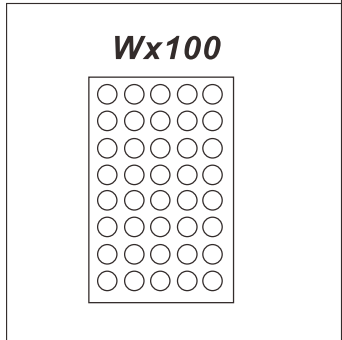
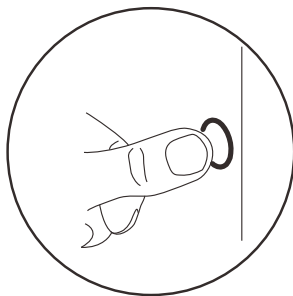
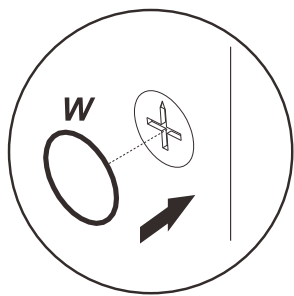
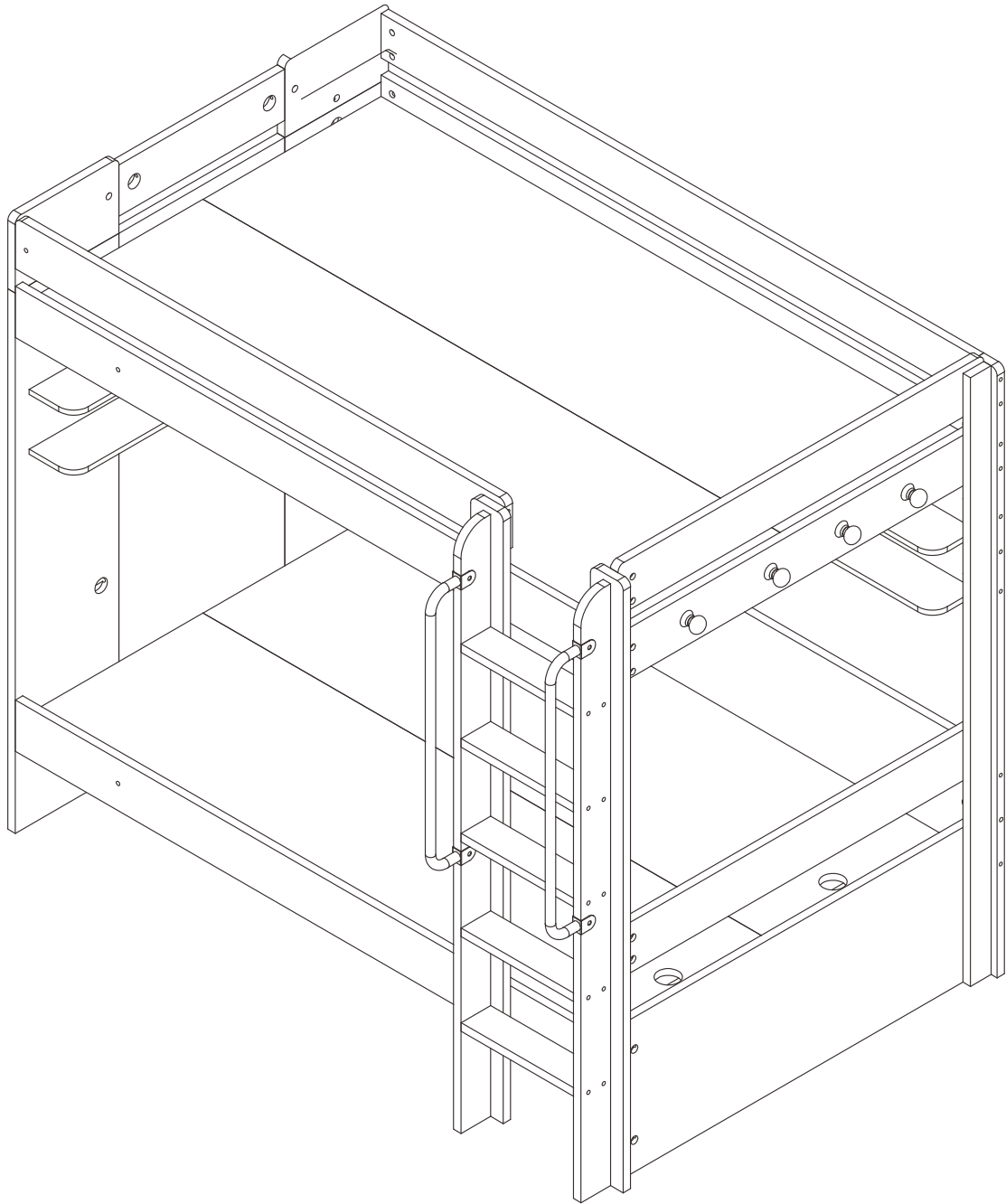


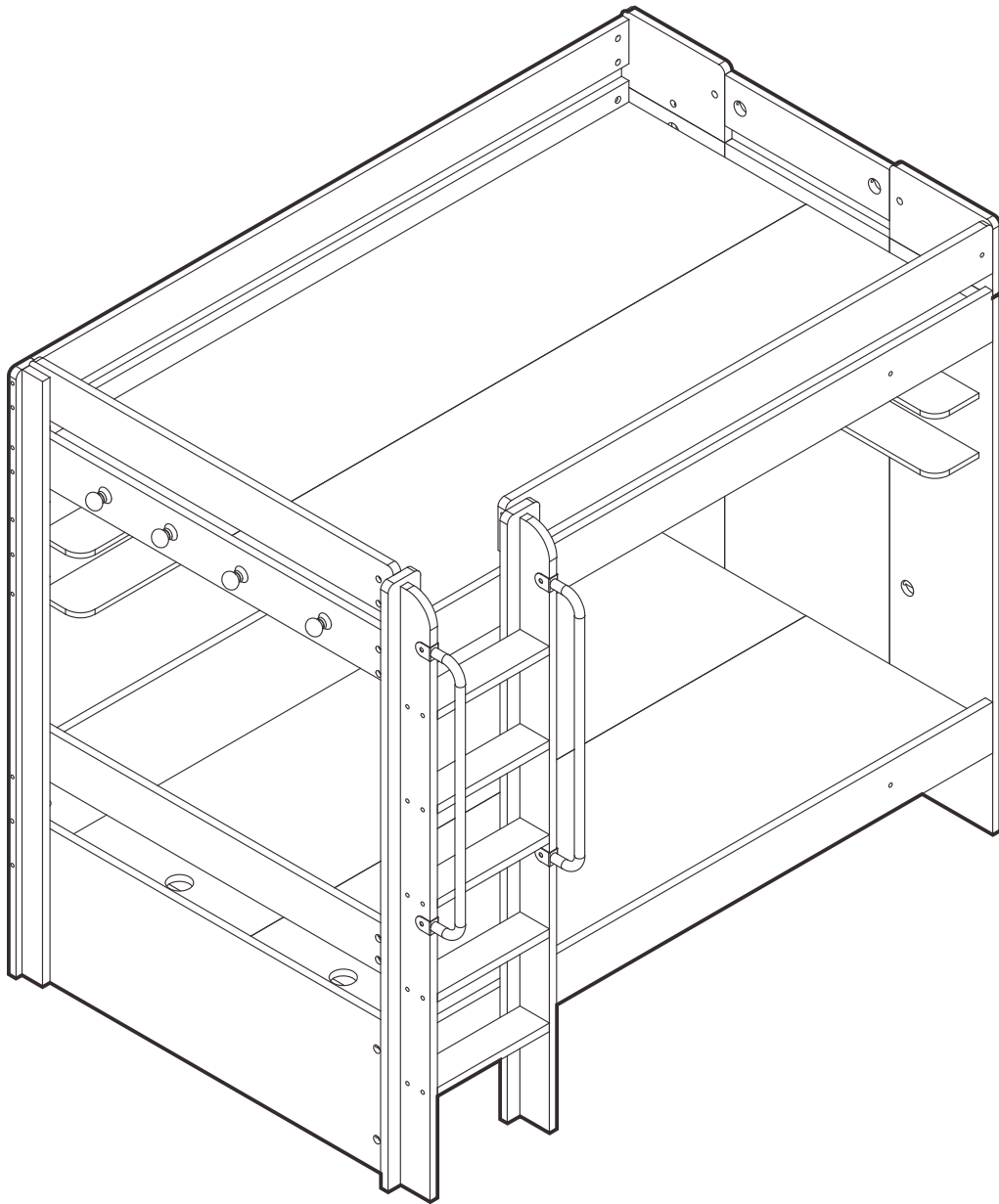
20.

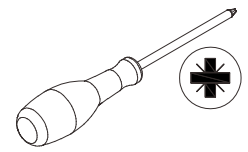
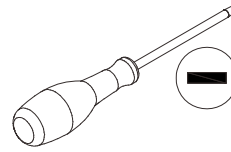
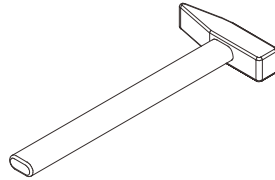
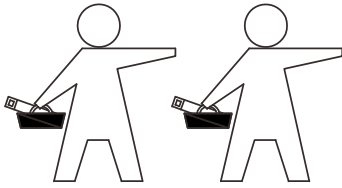


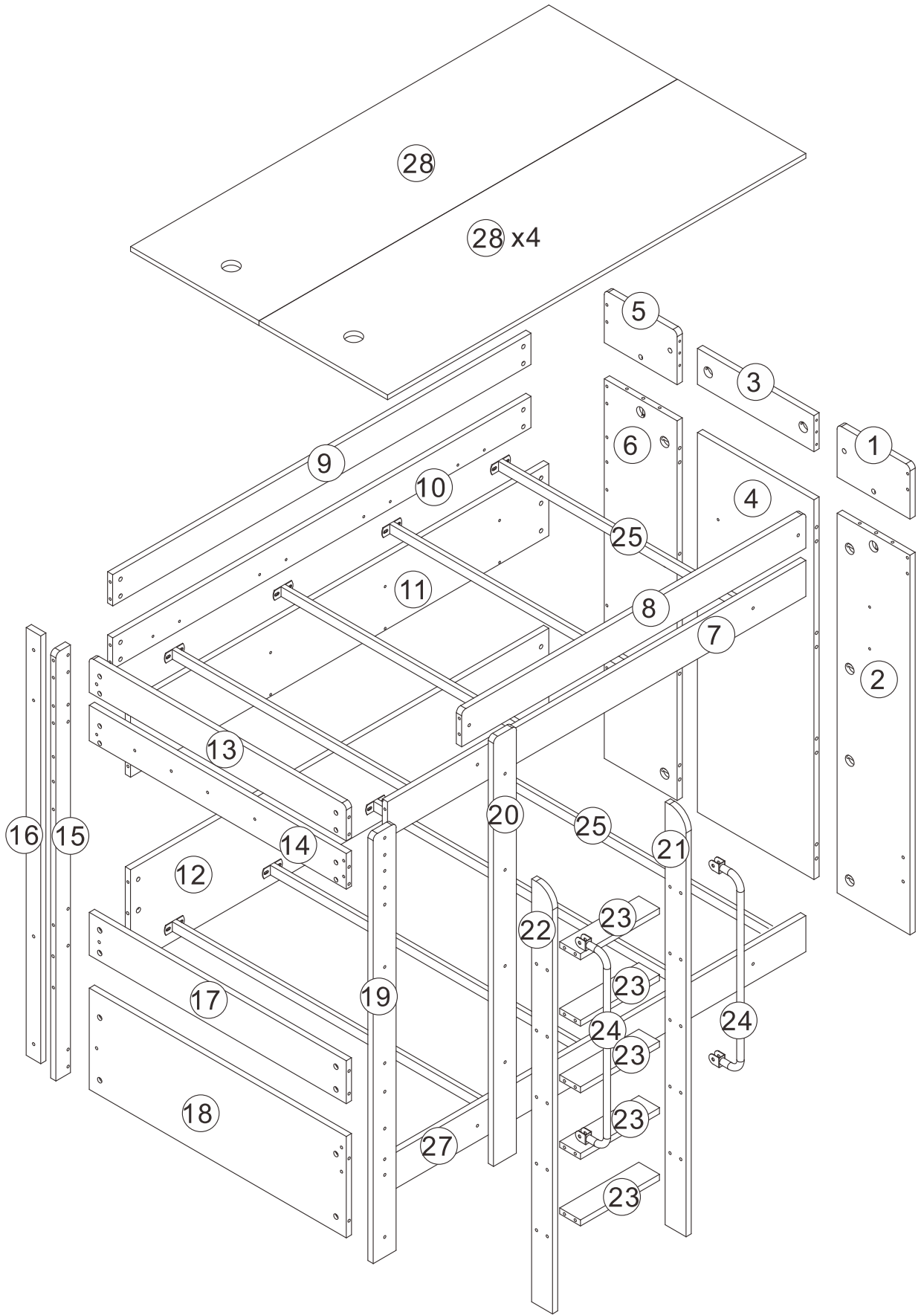
Ex16	Sx4	Tx4
		
M6*15		M4*28

21.

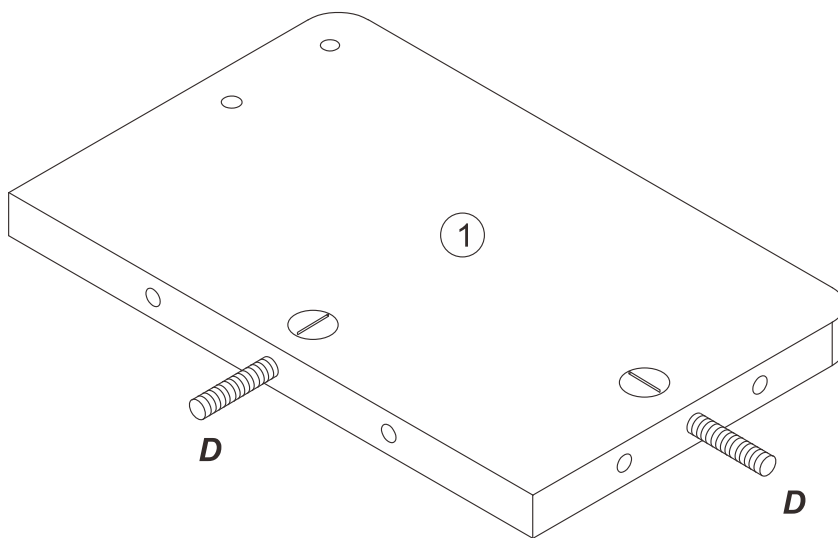
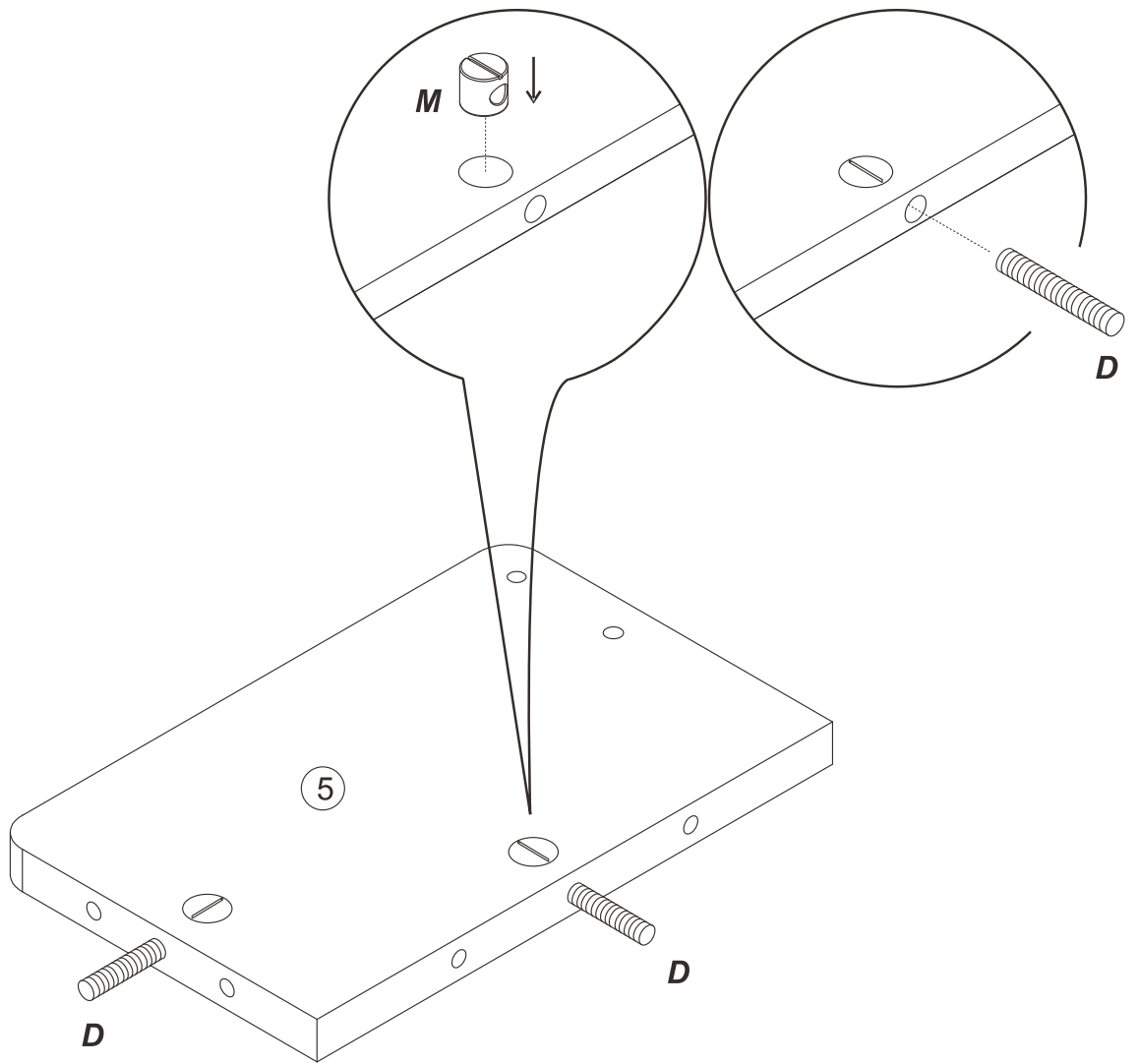








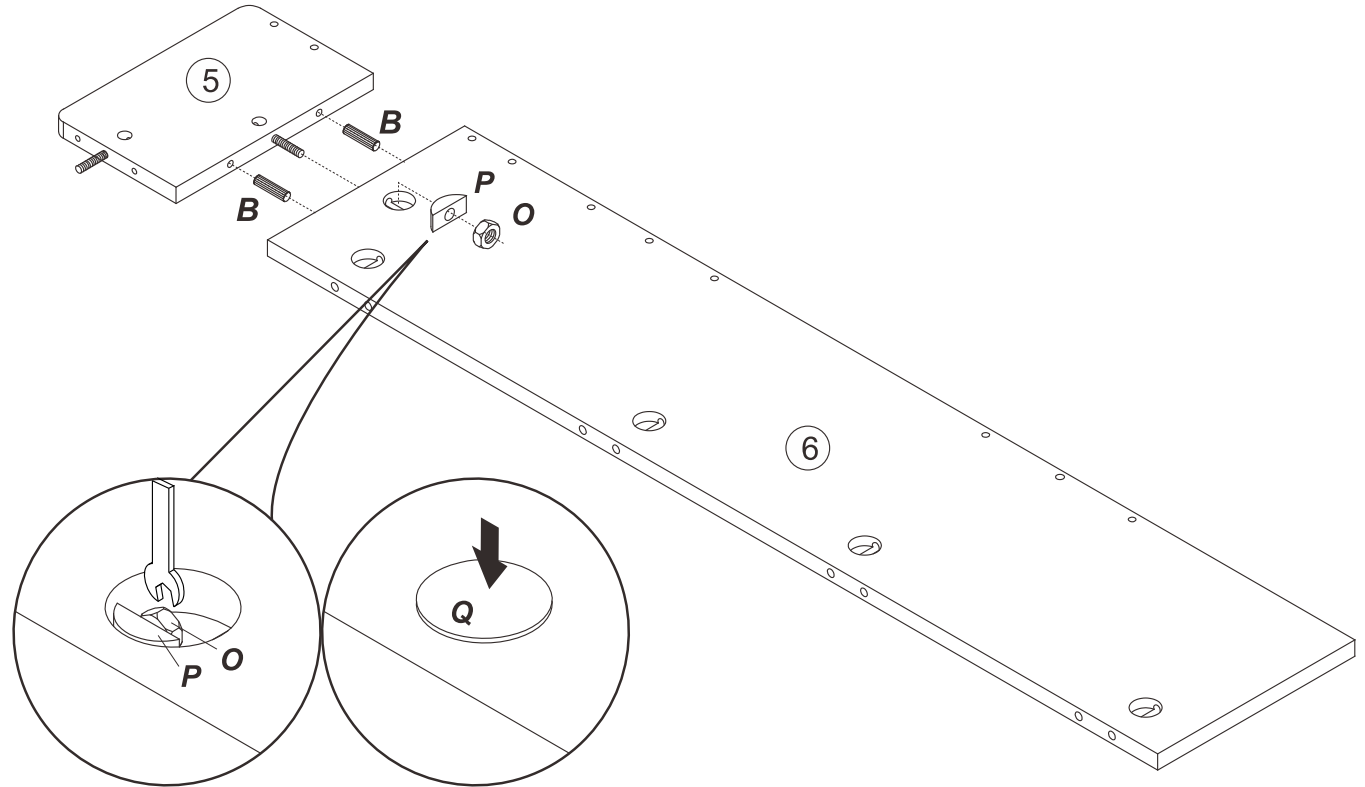
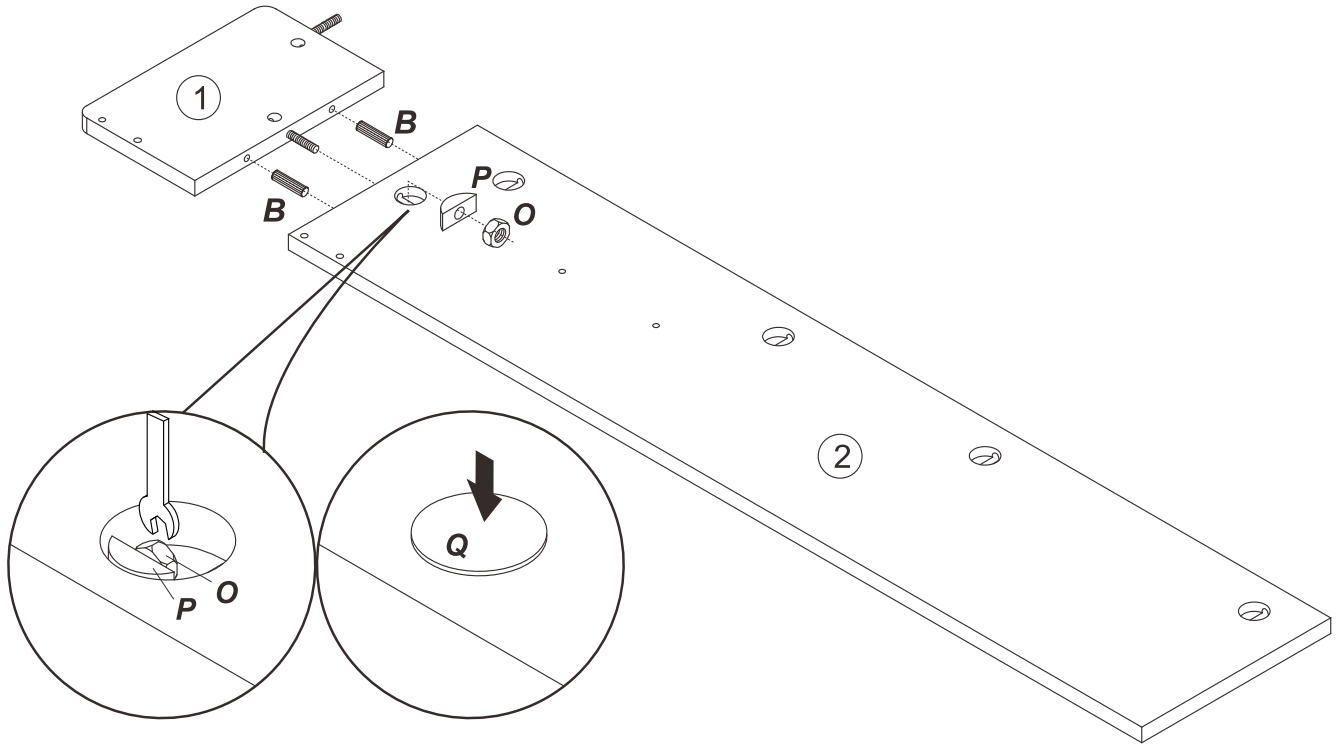


1.



Dx4	Mx4
	
M8*80	M8*15

2.



Bx4



Ox2



M8

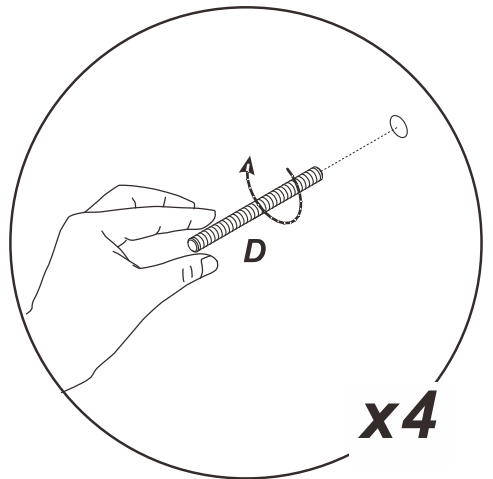
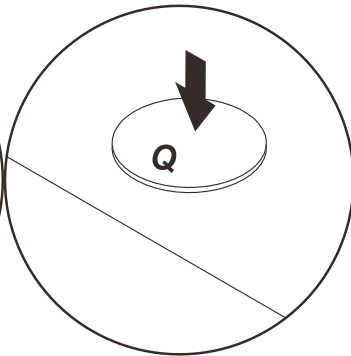
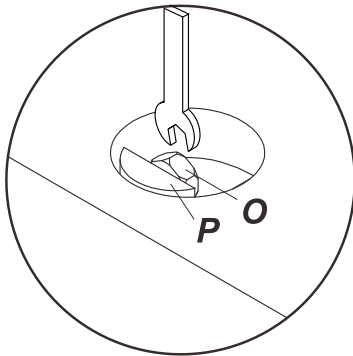
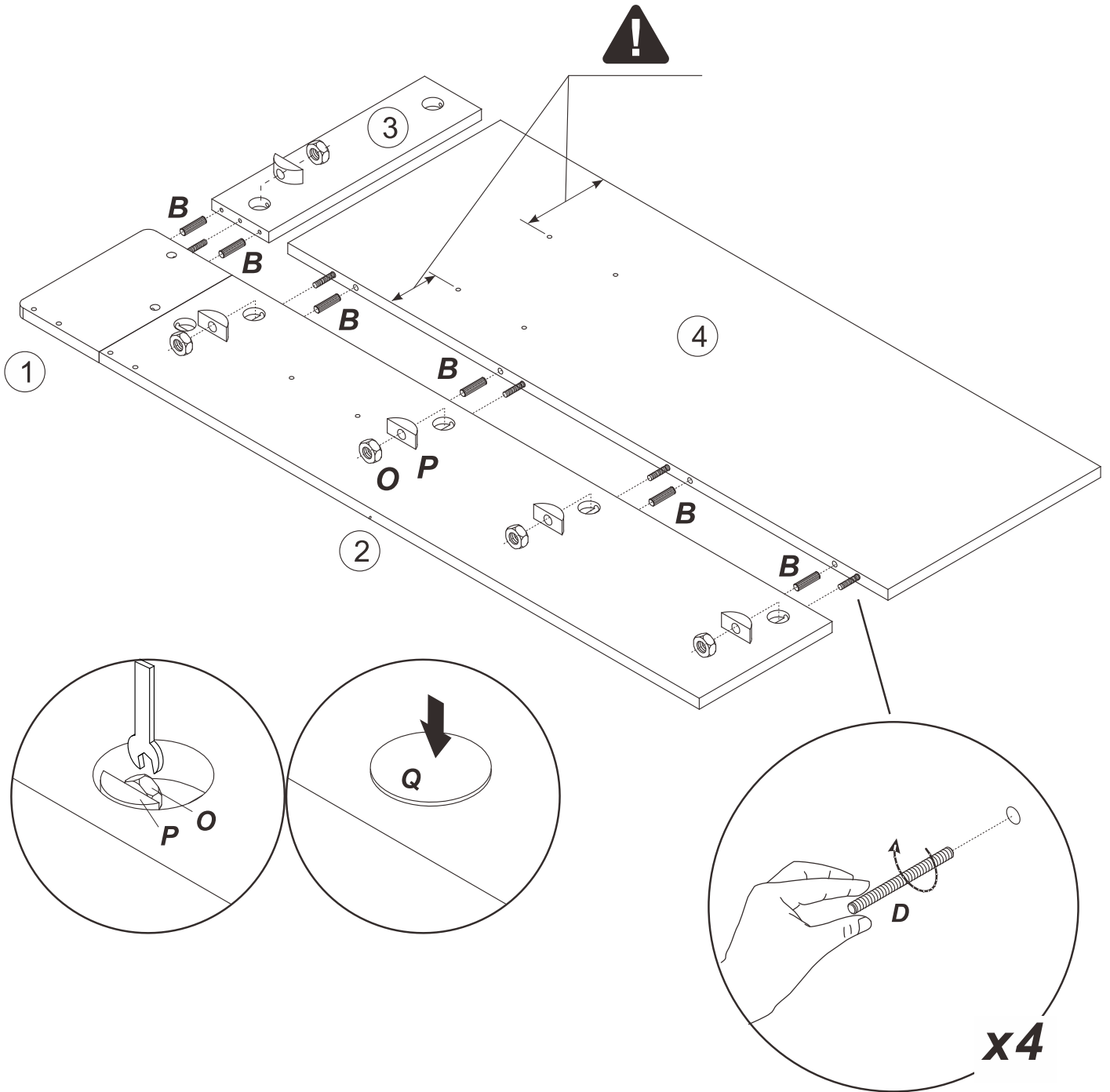
Px2

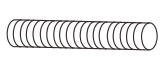



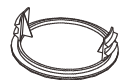


Qx2

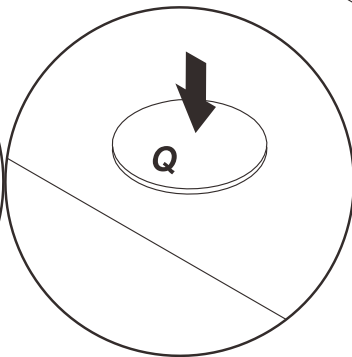
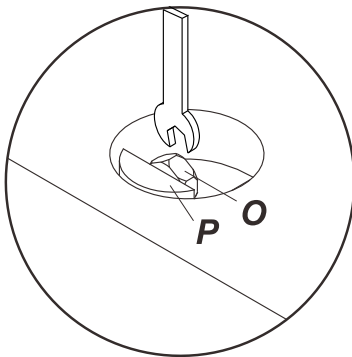
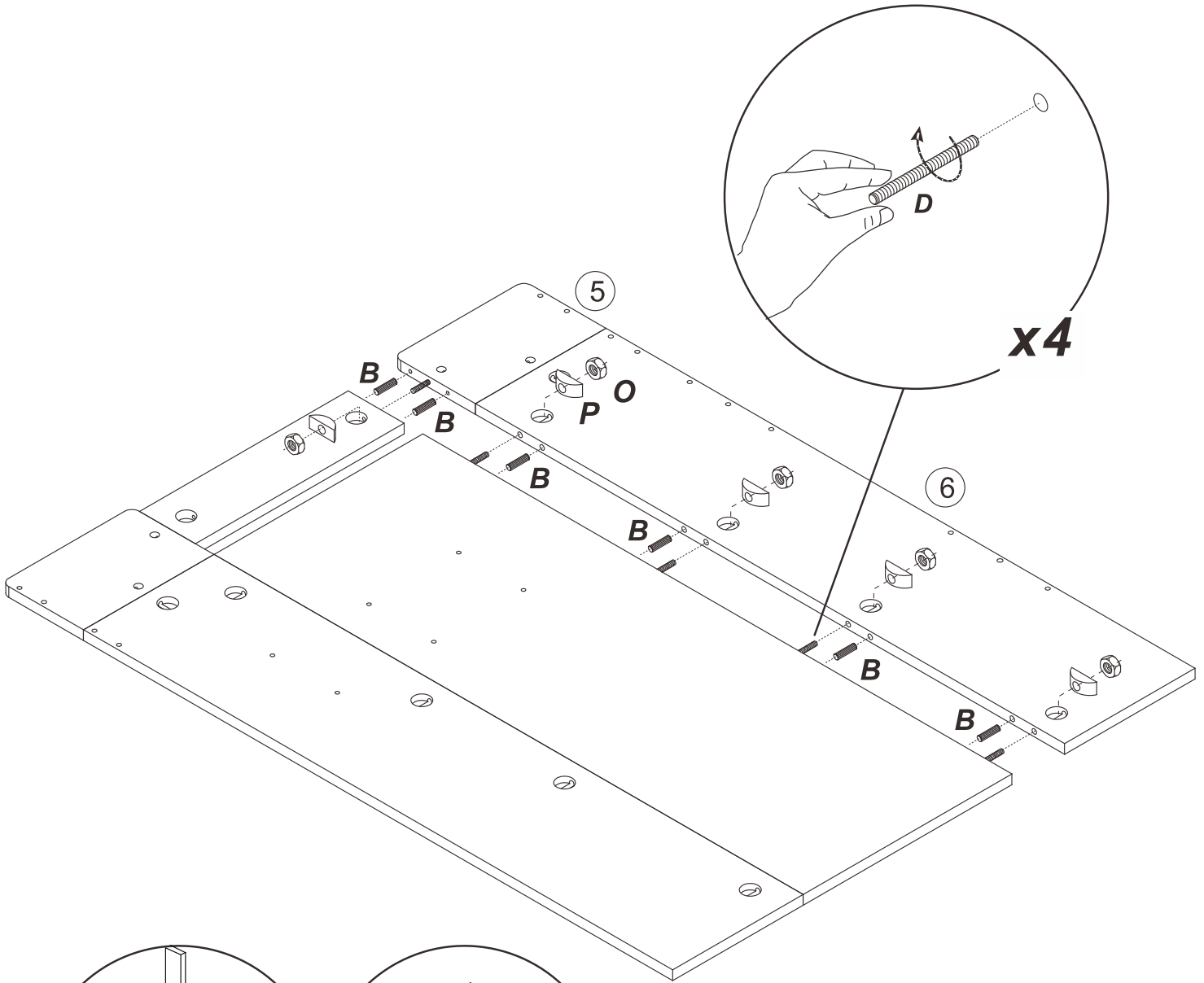






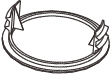
3.



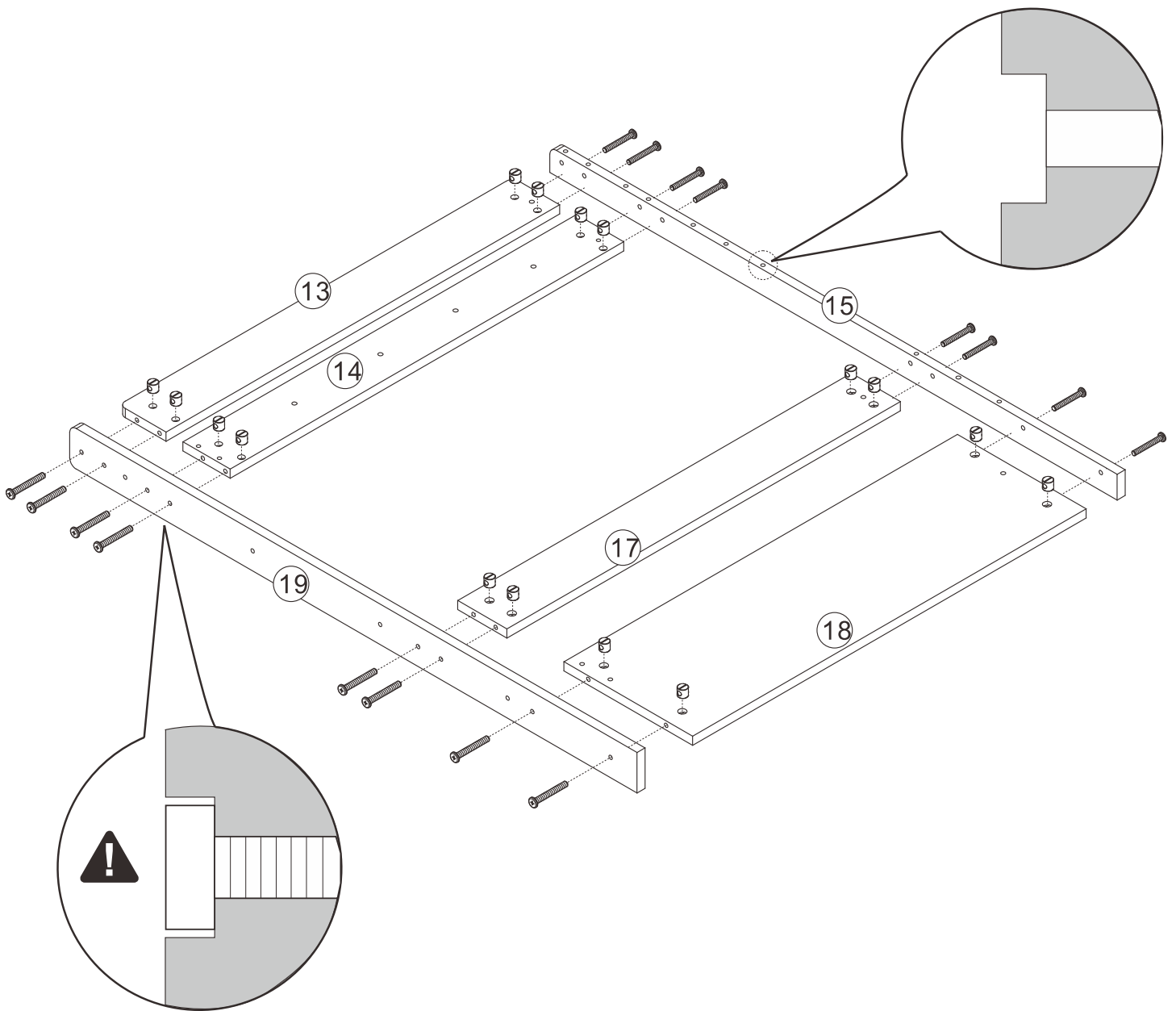
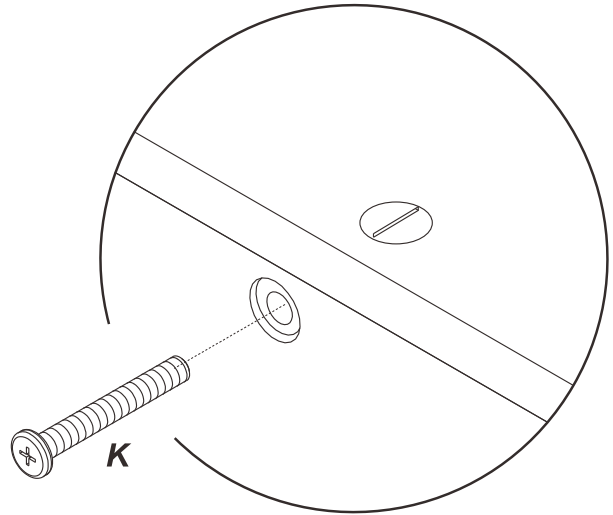
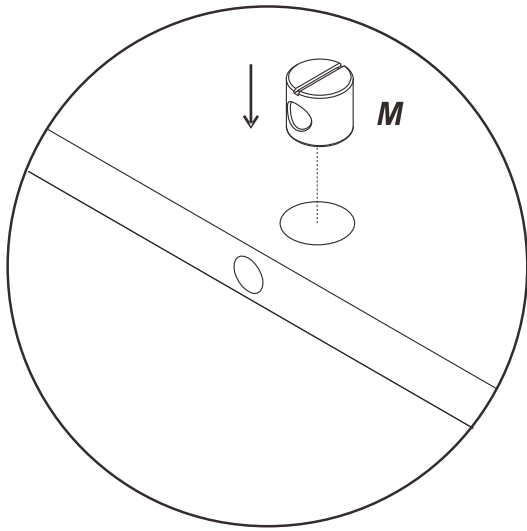
<i>D</i> x4	<i>B</i> x6	<i>O</i> x5	<i>P</i> x5	<i>Q</i> x5
				
M8*80		M8		

4.

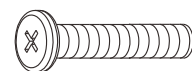


<i>D</i> x4	<i>B</i> x6	<i>O</i> x5	<i>P</i> x5	<i>Q</i> x5
				
M8*80		M8		

5.



Kx16



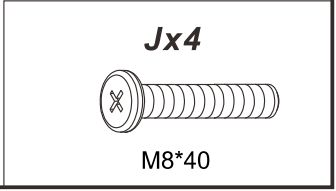
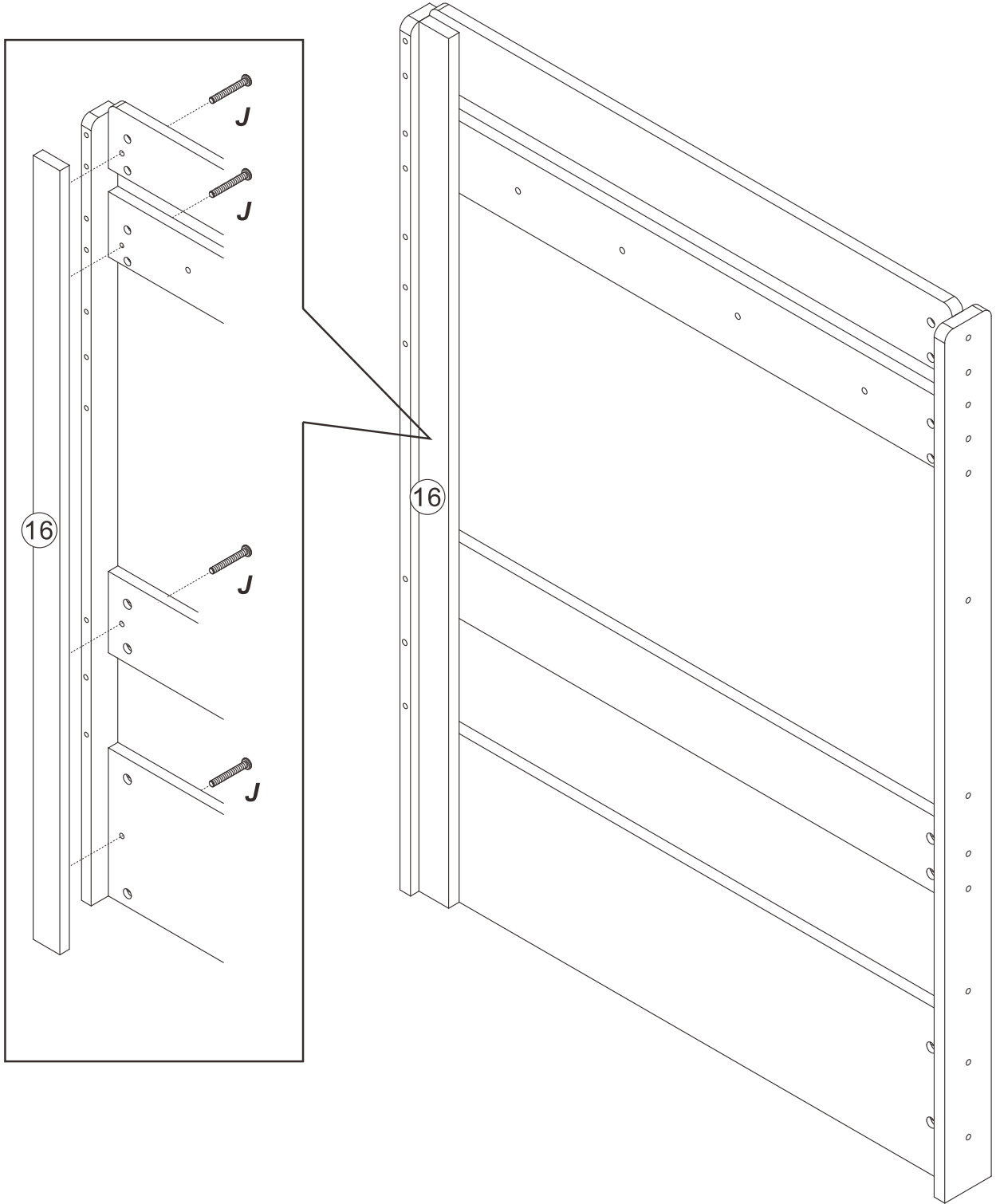
M8*55

Mx16

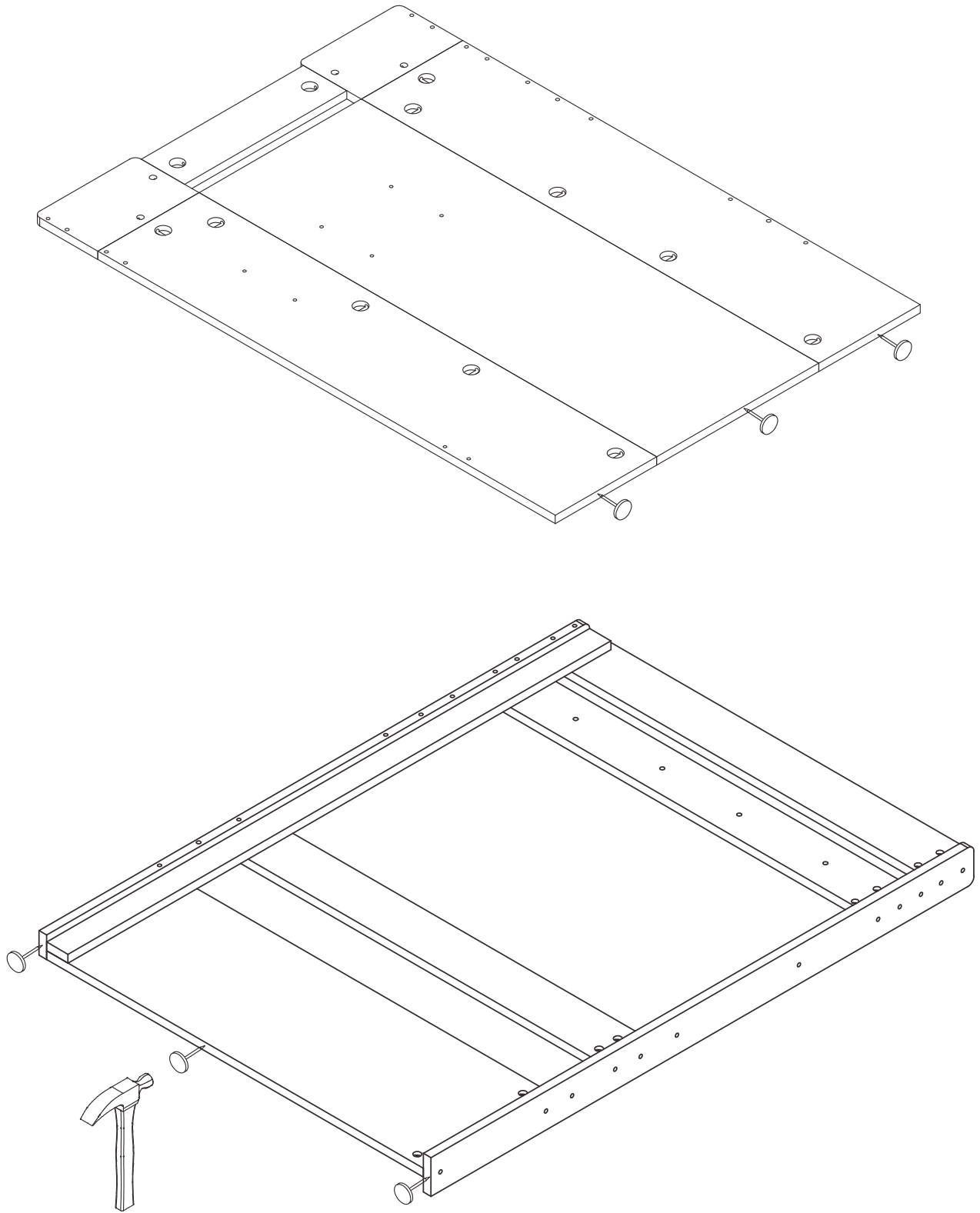


M8*15

6.



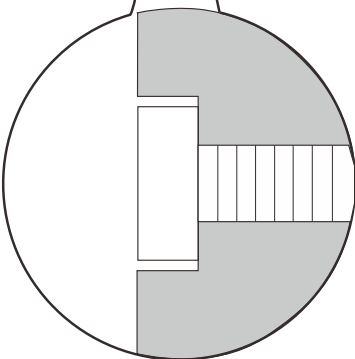
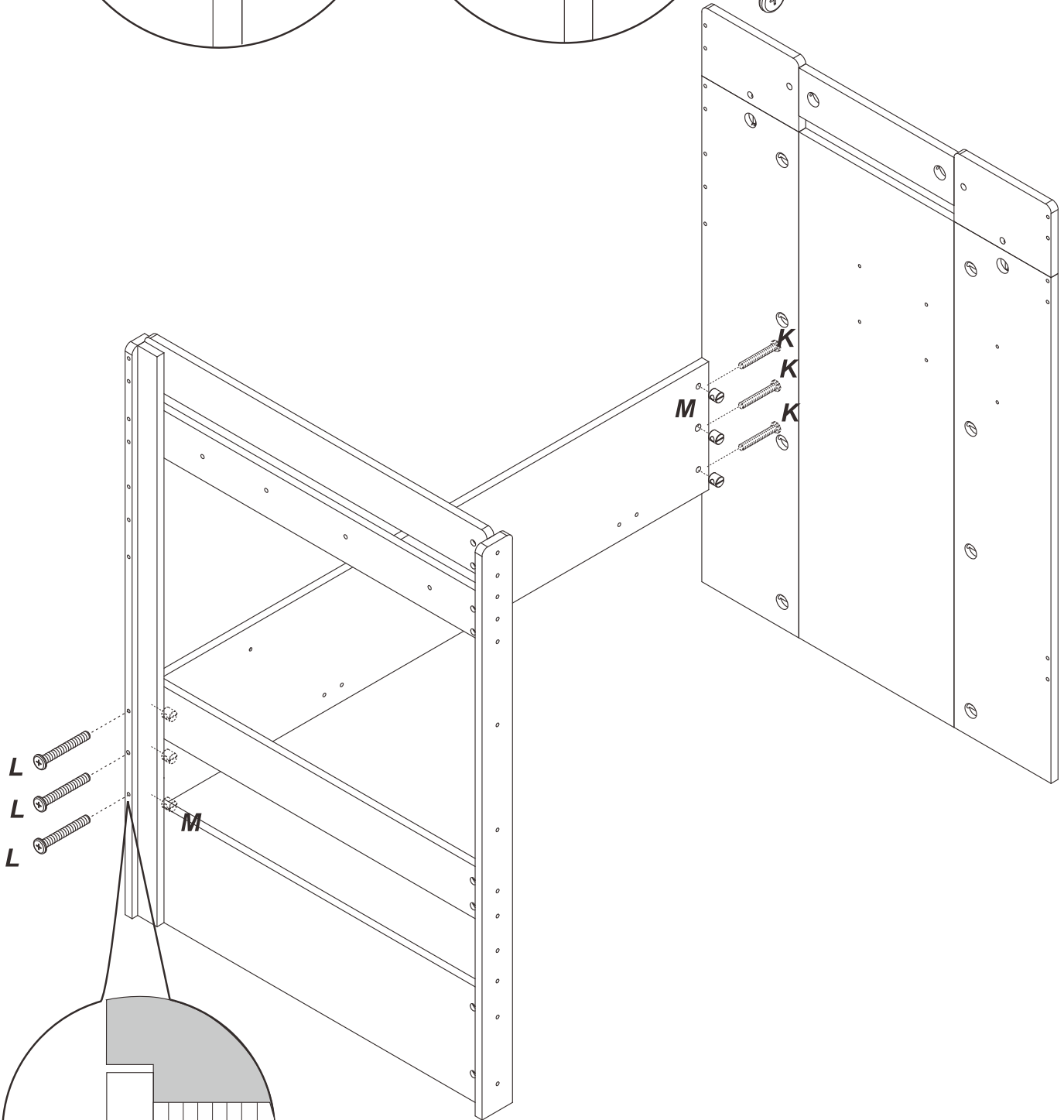
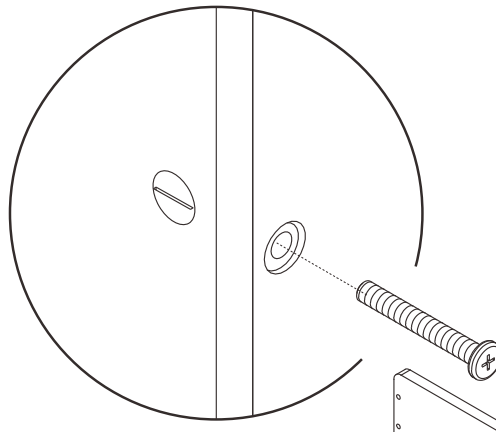
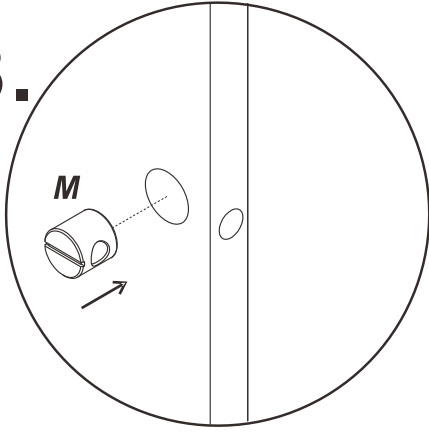
7.

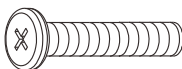
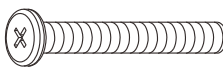



Ux 6

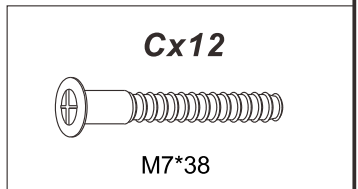
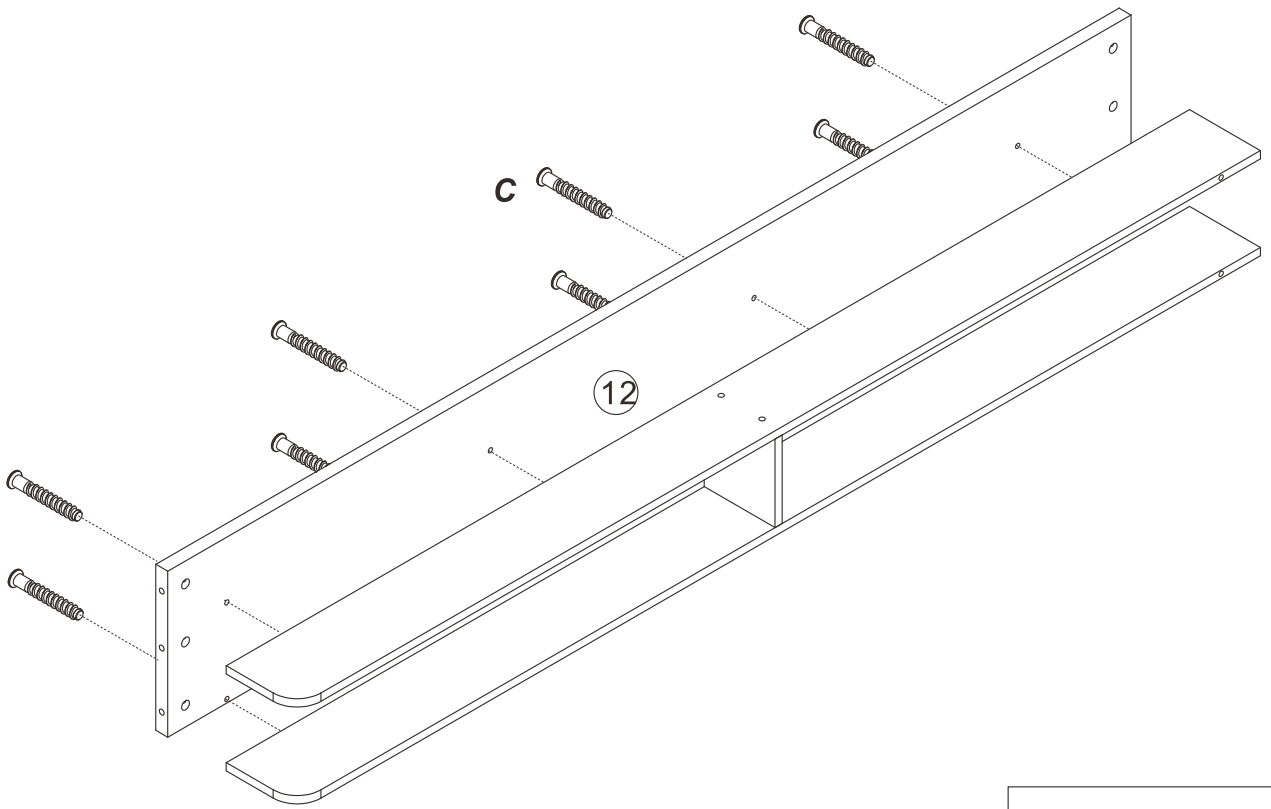
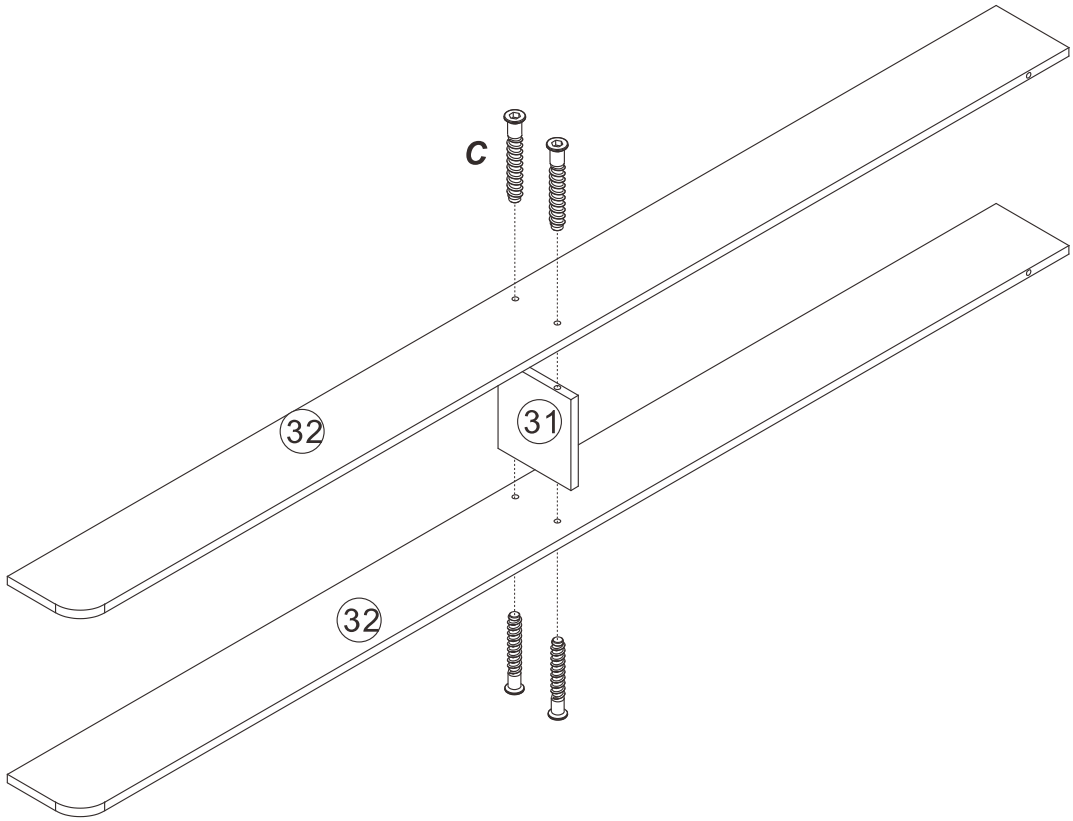


8.

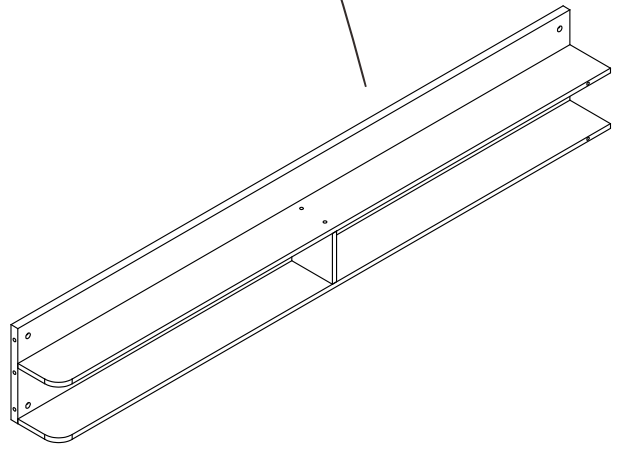
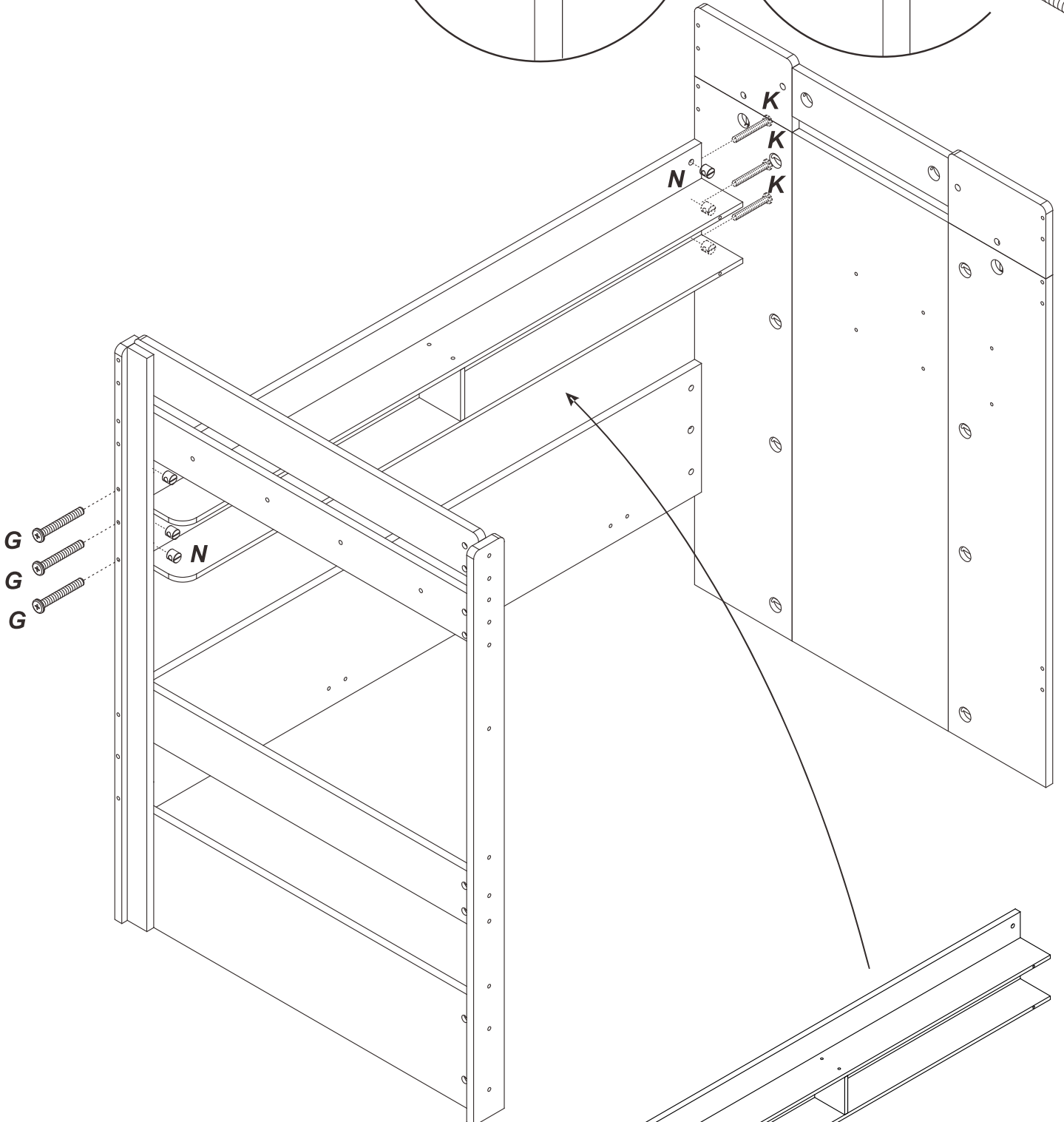
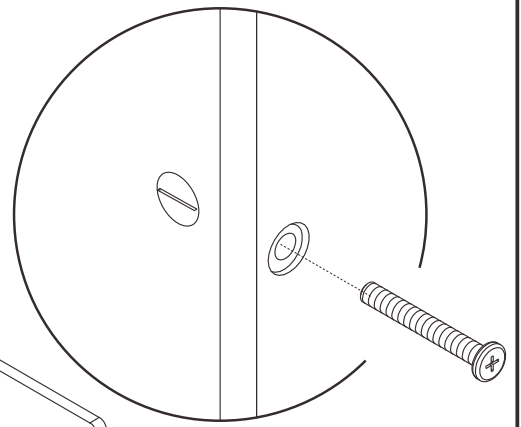
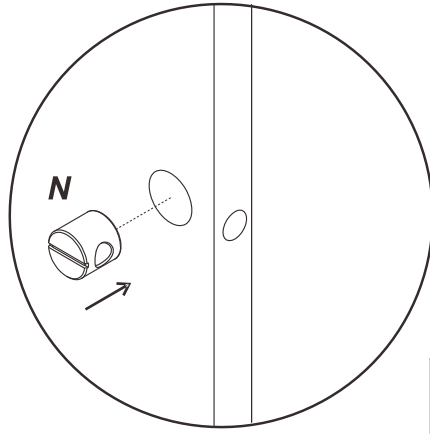


Kx3	Lx3	Mx6
		
M8*55	M8*90	M8*15

9.



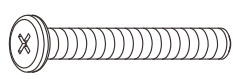
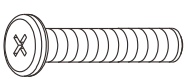
10.



Kx3

Gx3

Nx6

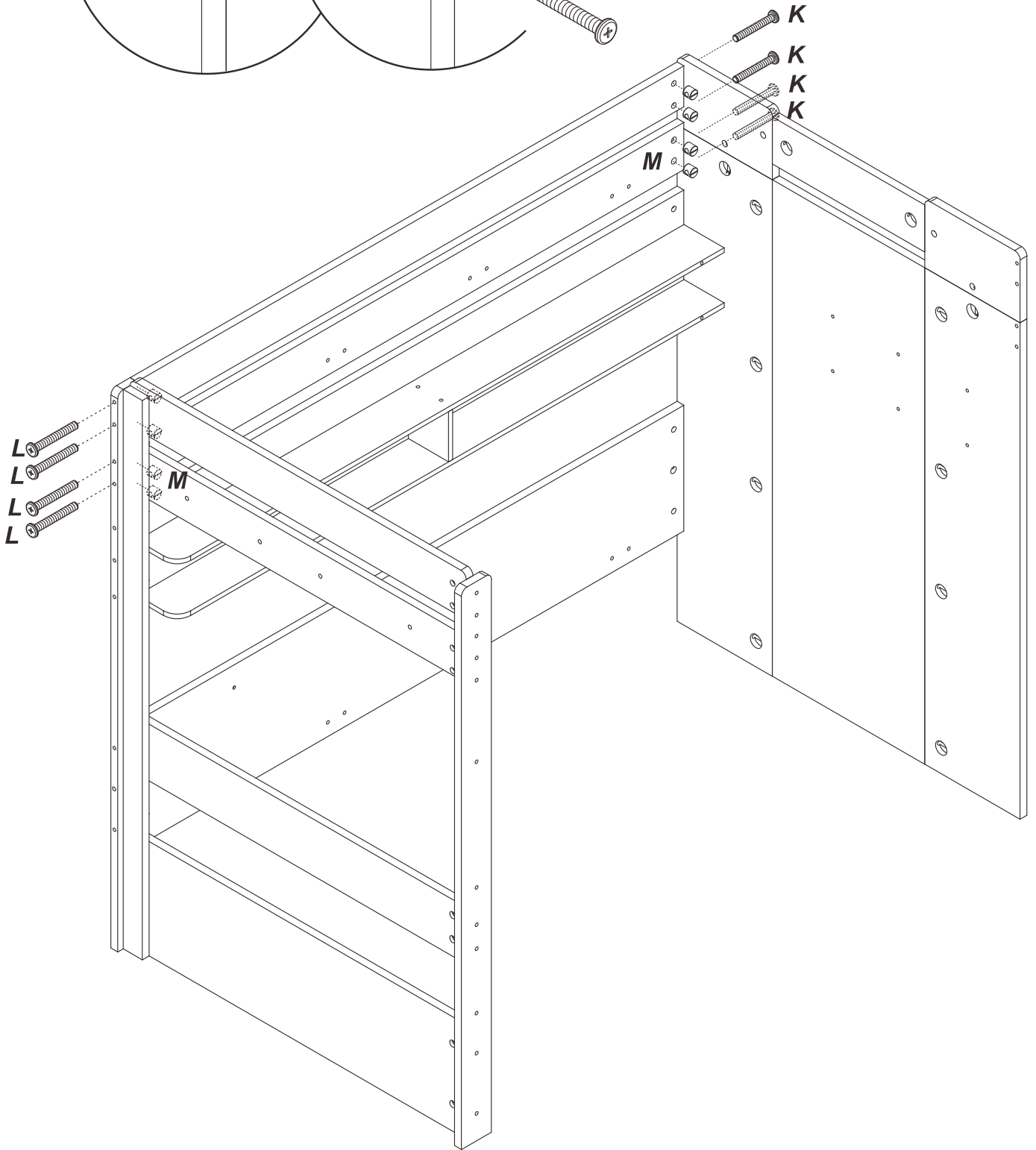
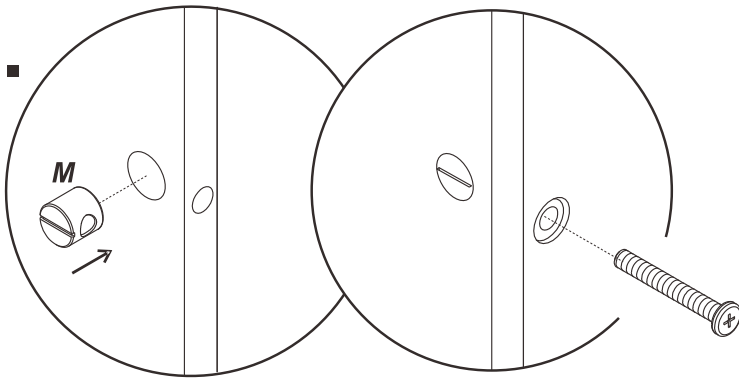


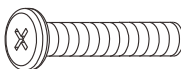
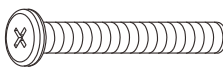

M8*55

M6*90

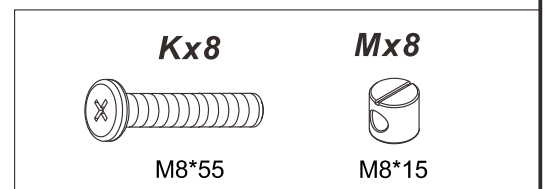
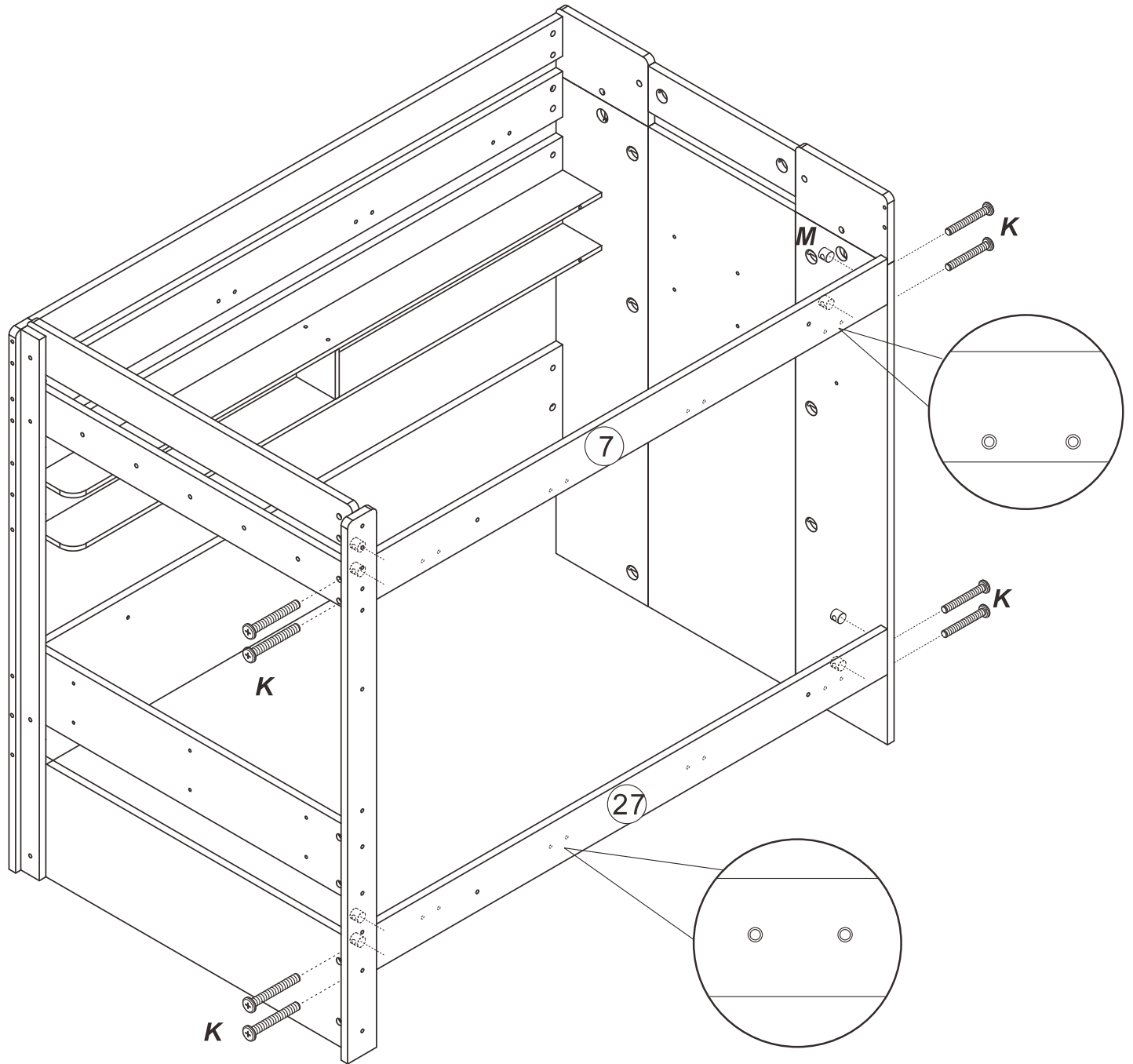
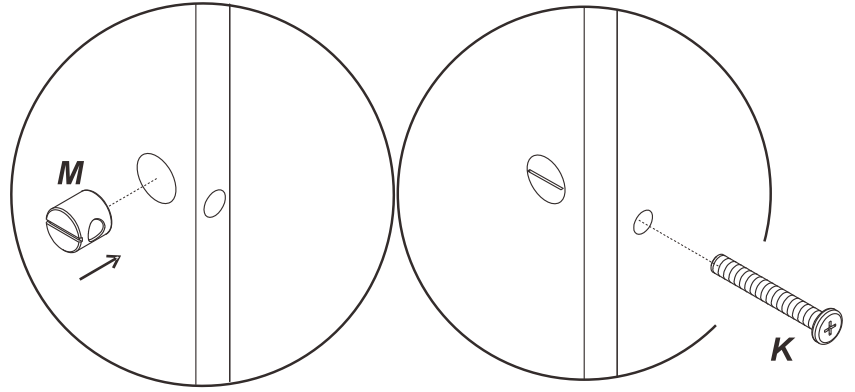
M6*12

11.

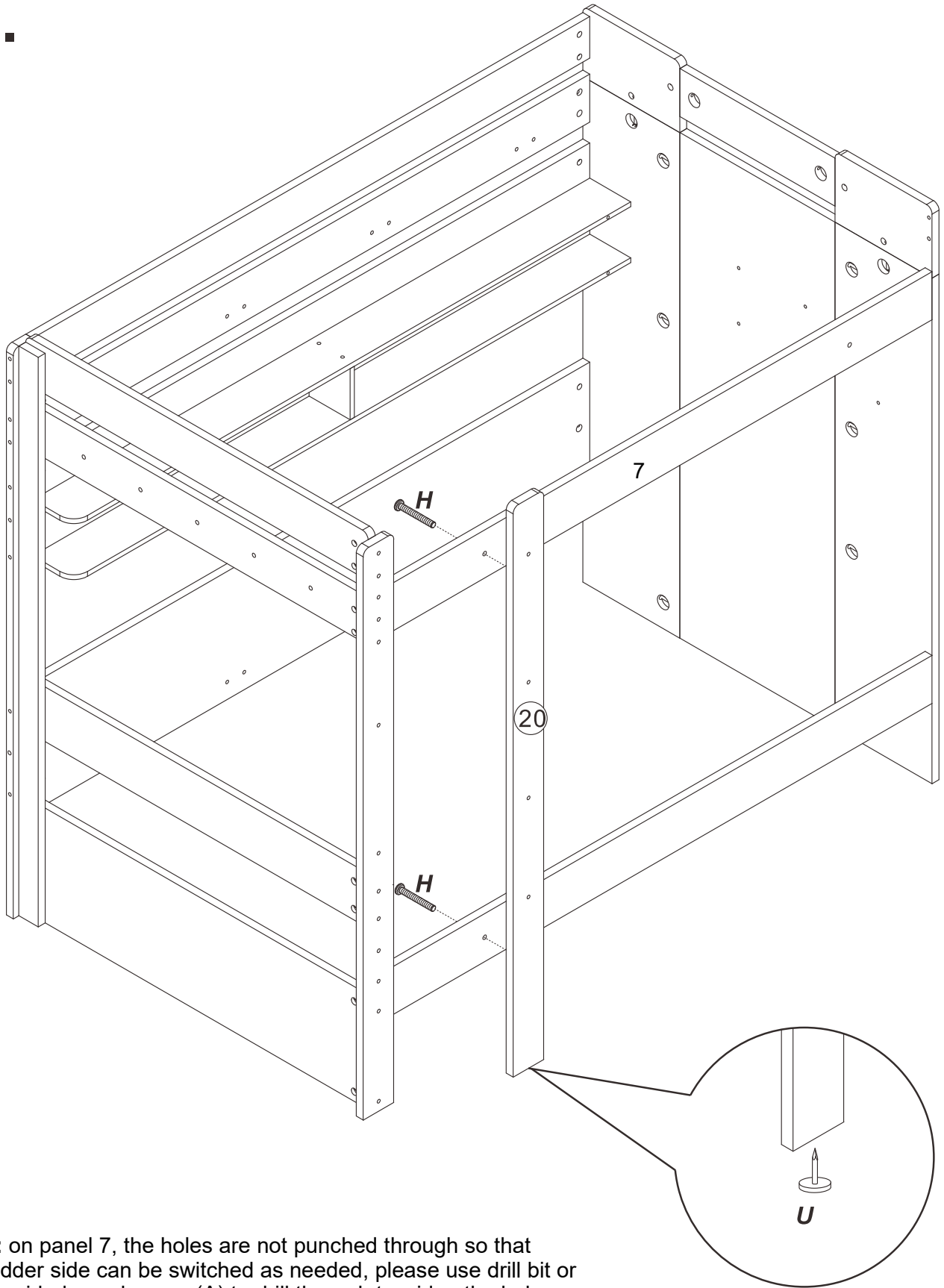


Kx4	Lx4	Mx8
		
M8*55	M8*90	M8*15

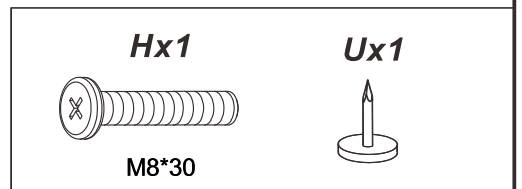
12.



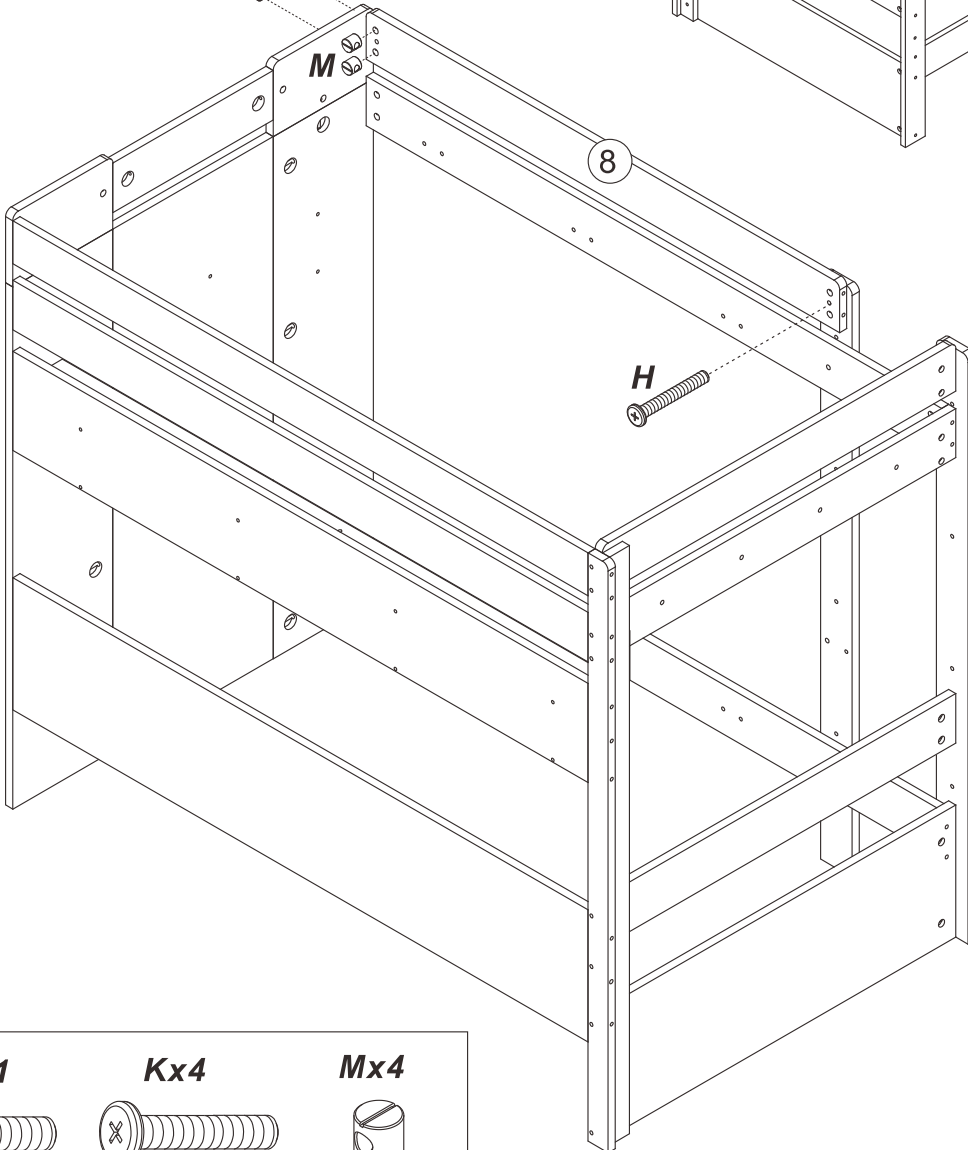
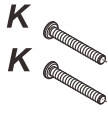
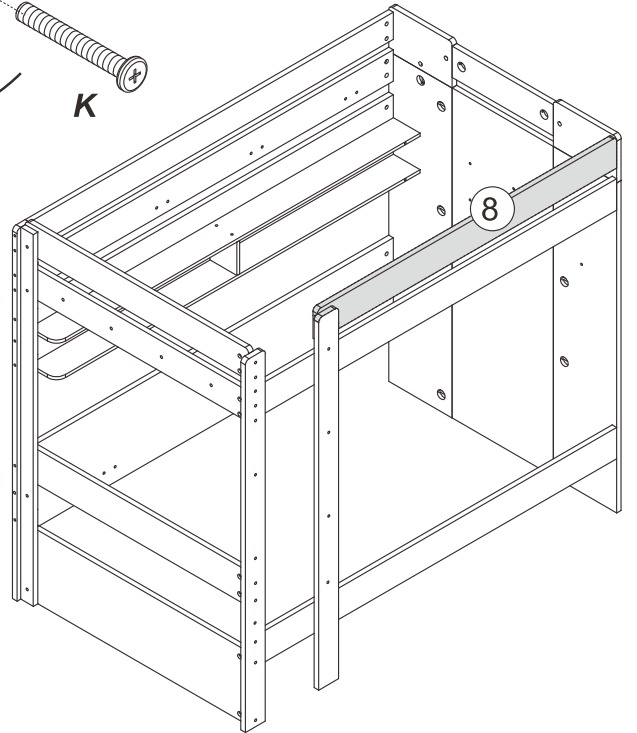
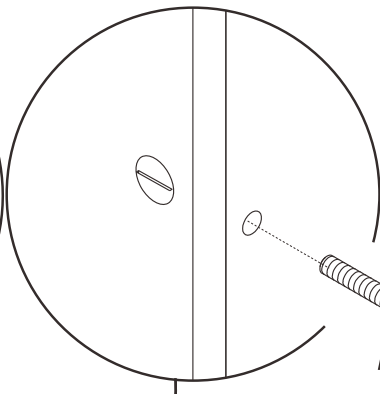
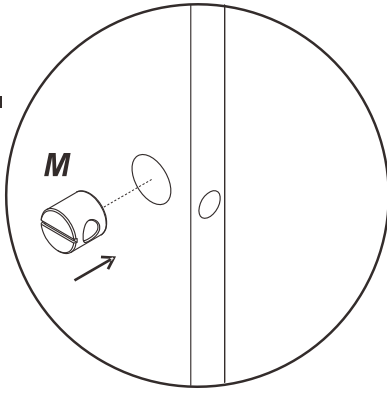
13.



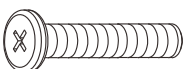
Note: on panel 7, the holes are not punched through so that the ladder side can be switched as needed, please use drill bit or the provided wood screw (A) to drill through to widen the holes.



14.

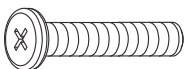


Hx1



M8*30

Kx4



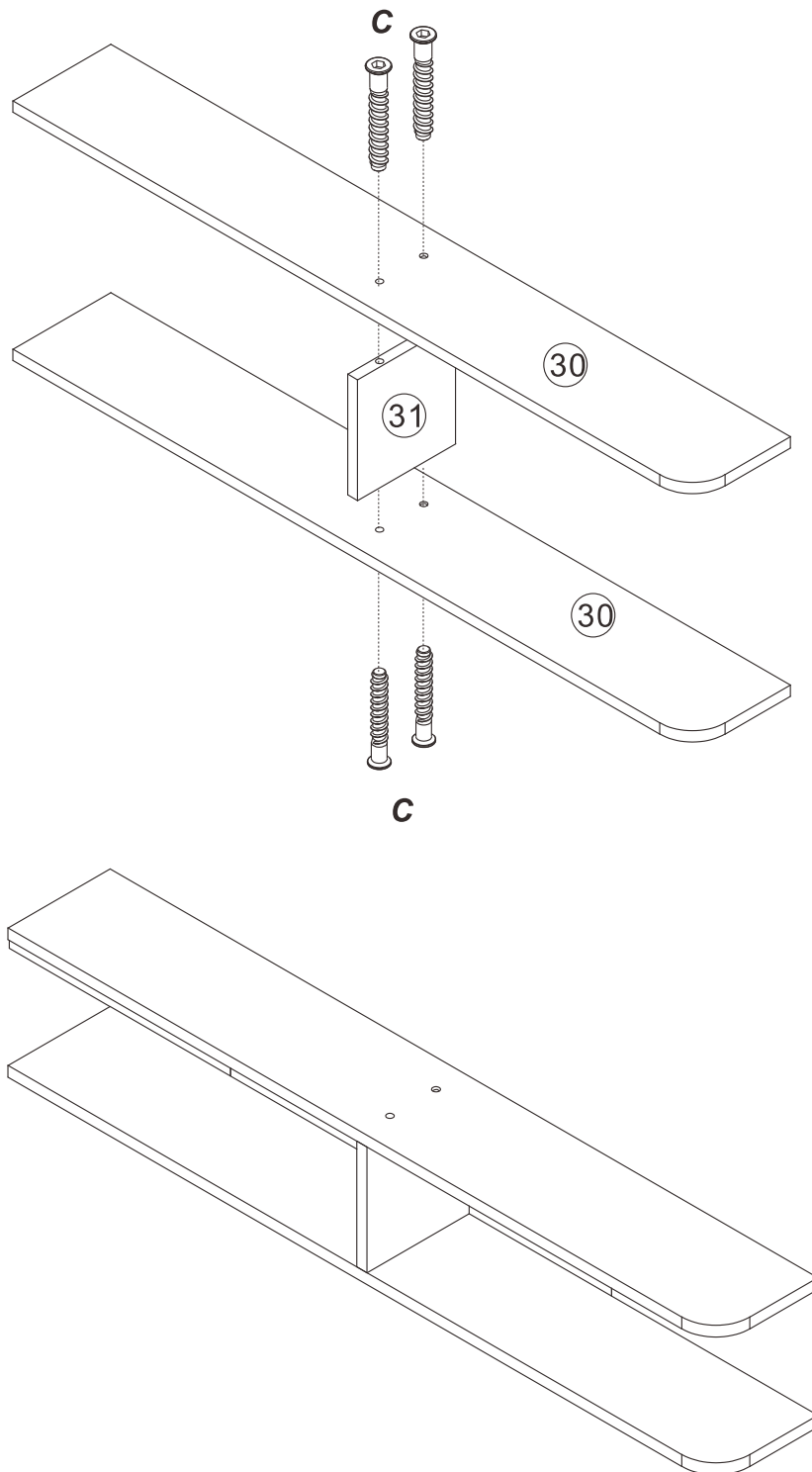
M8*55

Mx4

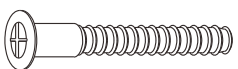


M8*15

15.

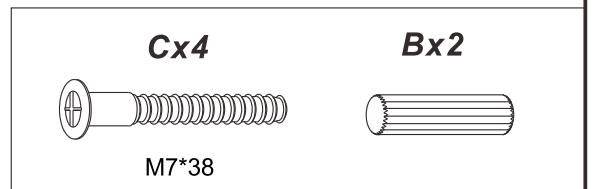
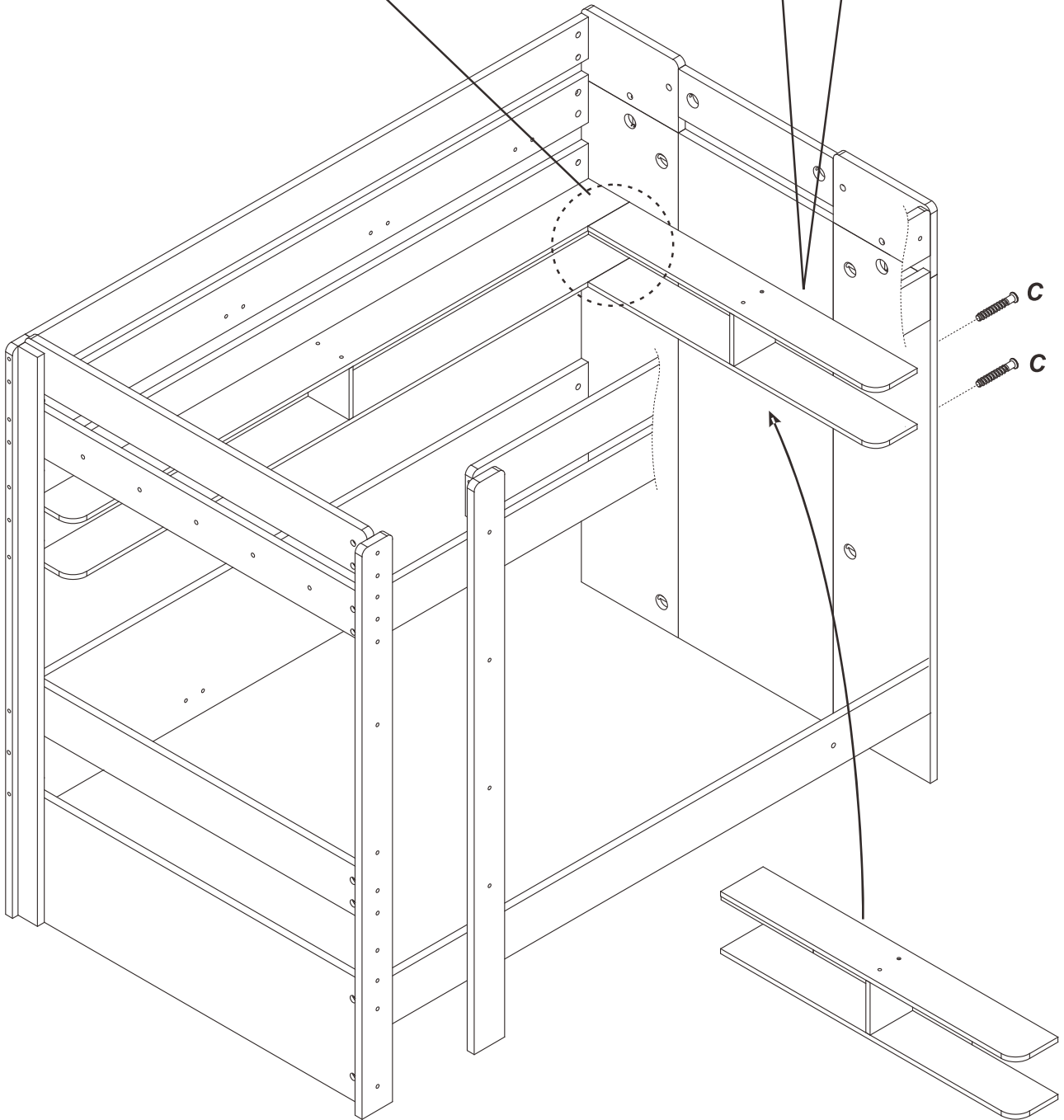
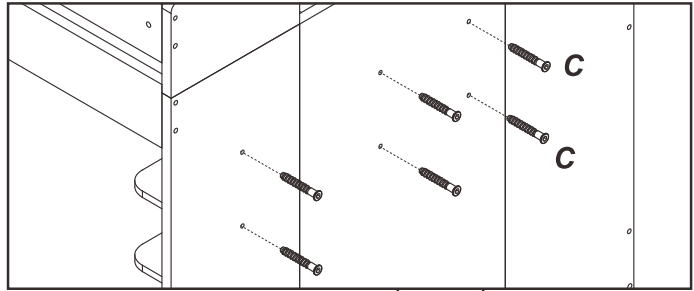
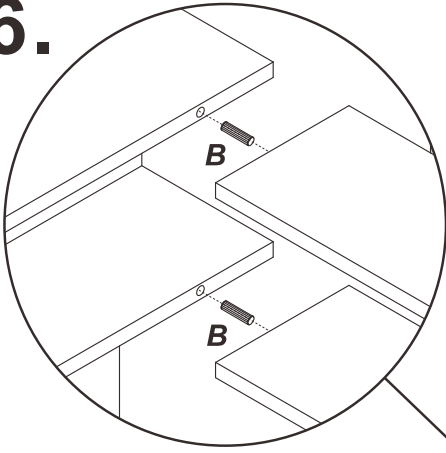


Cx4

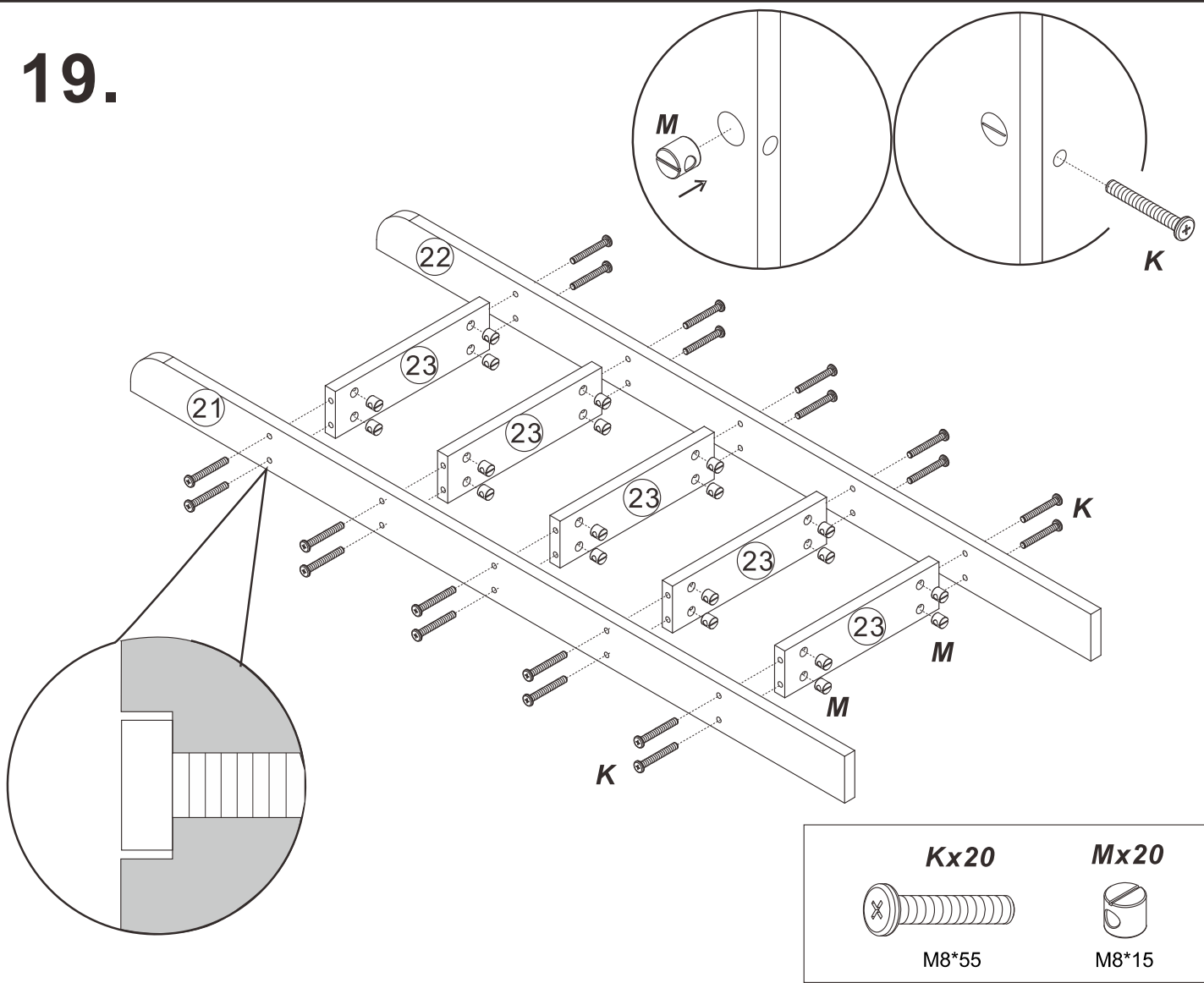


M7*38

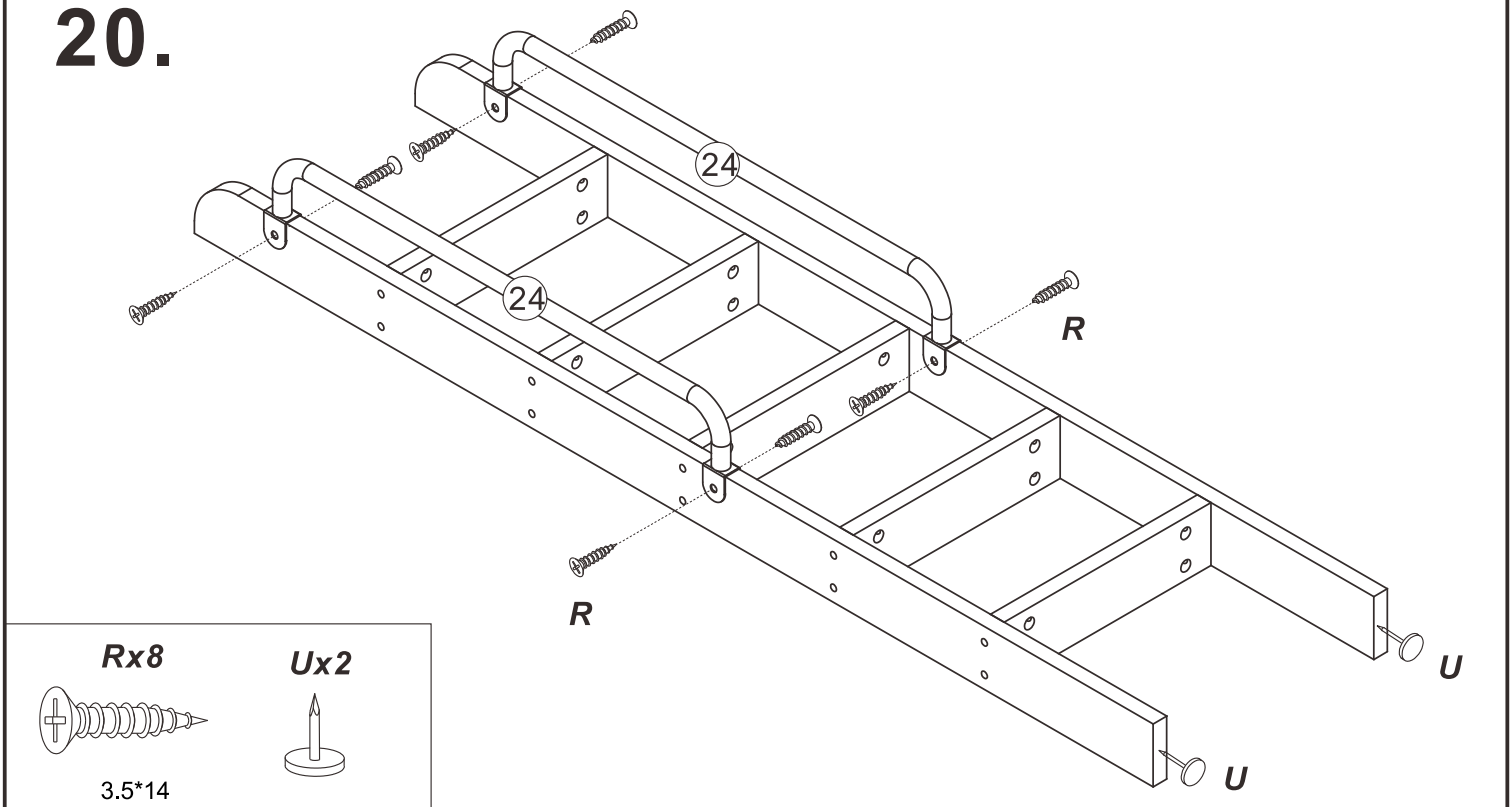
16.



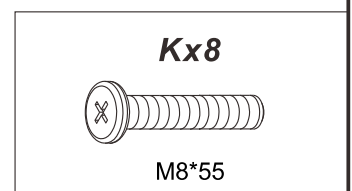
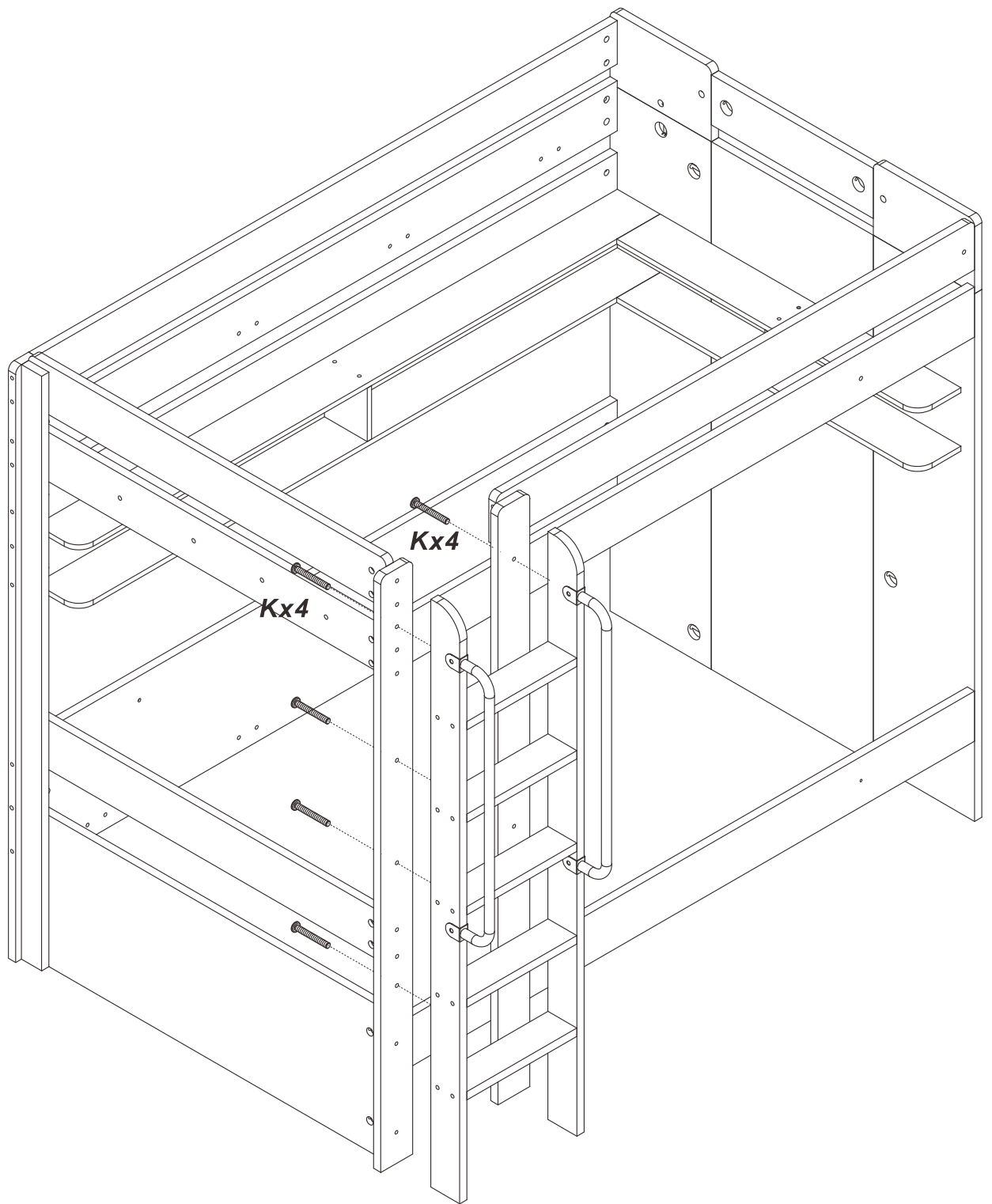
19.



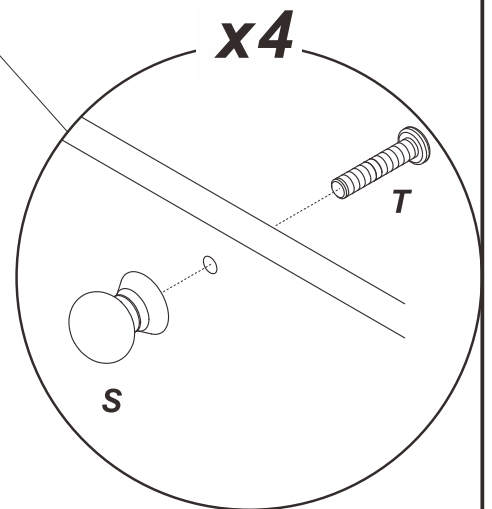
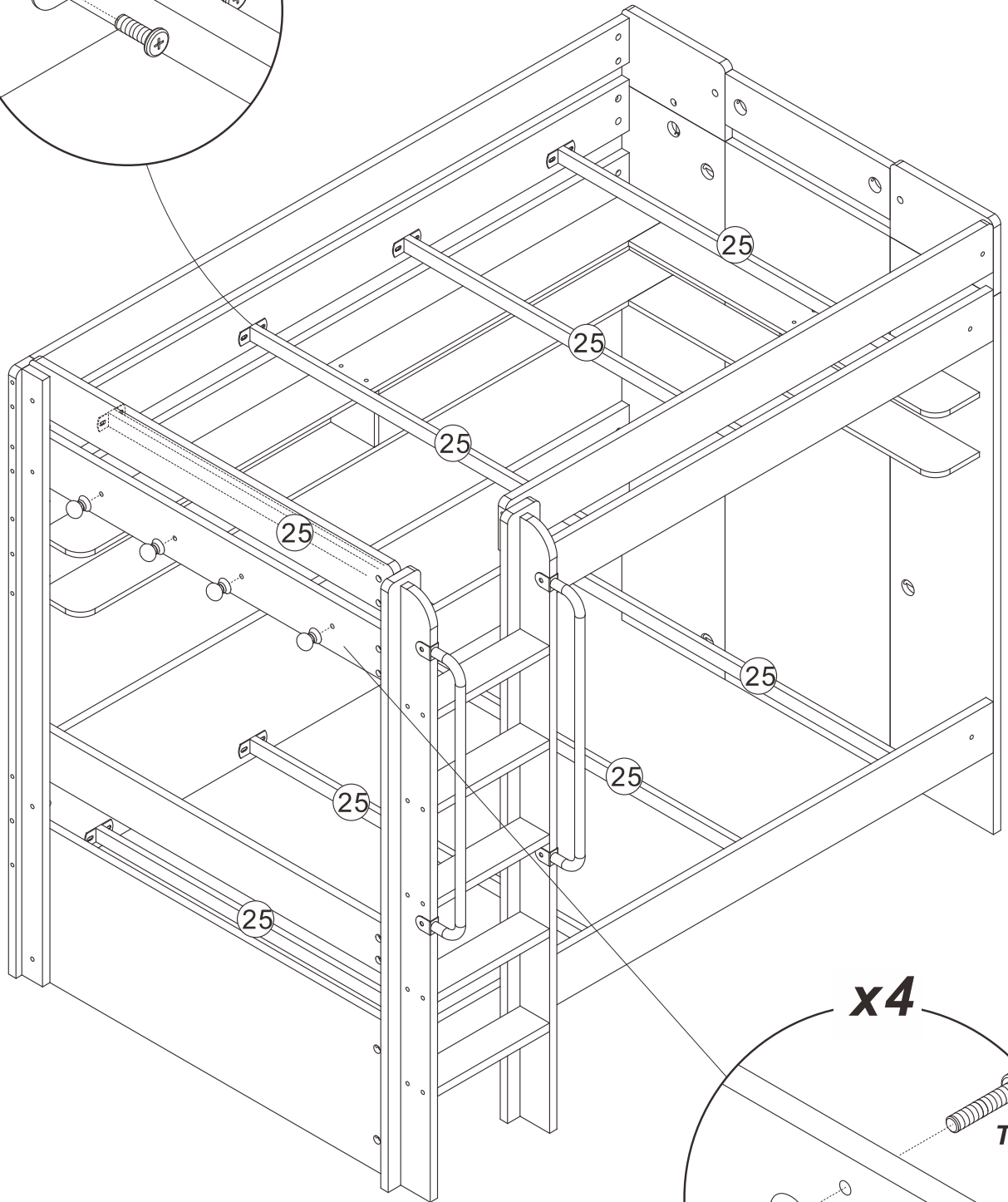
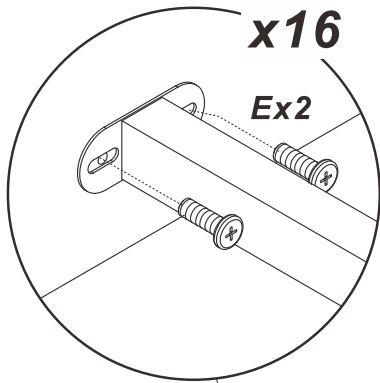
20.



21.



22.



Ex16

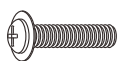


M6*15

Sx4



Tx4



M4*28

23.

